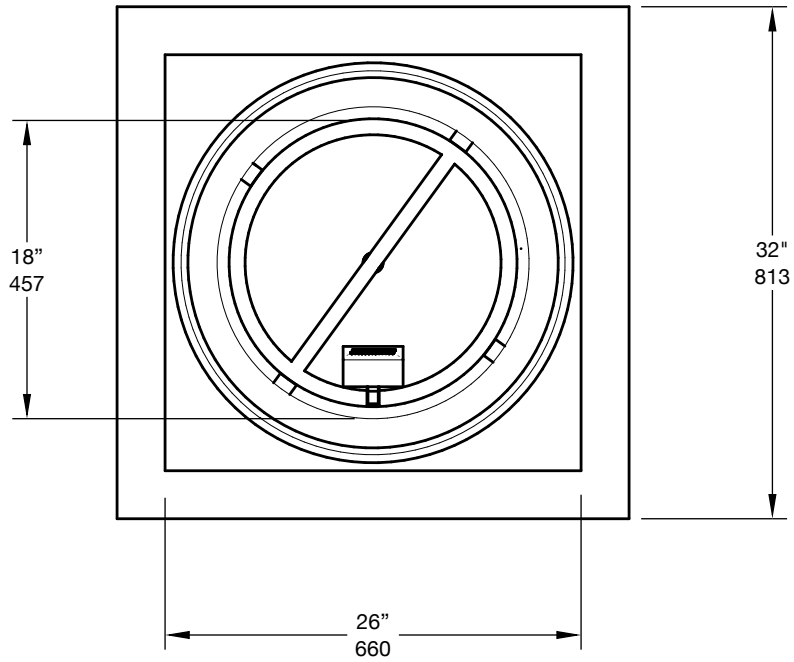
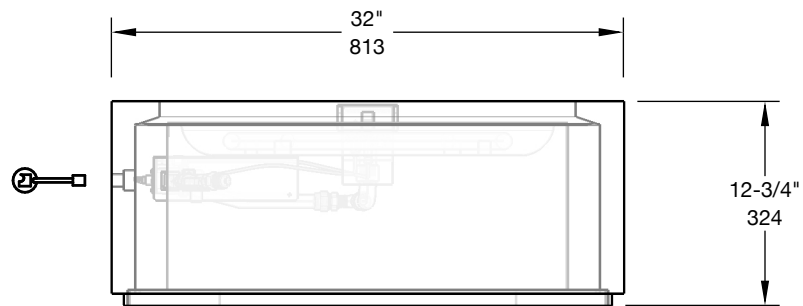
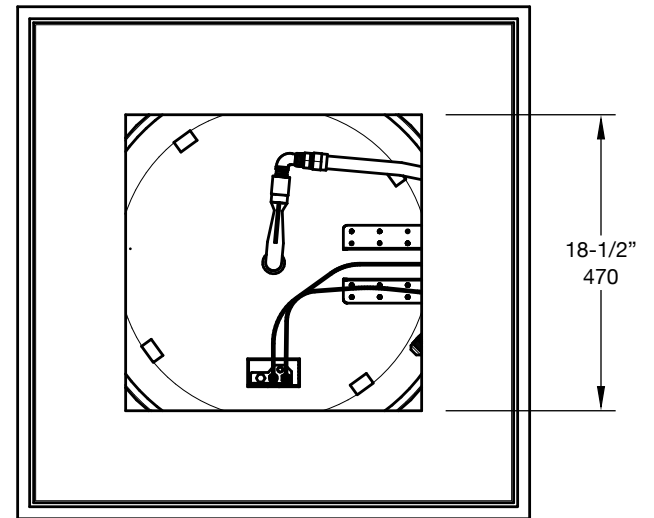


TOP



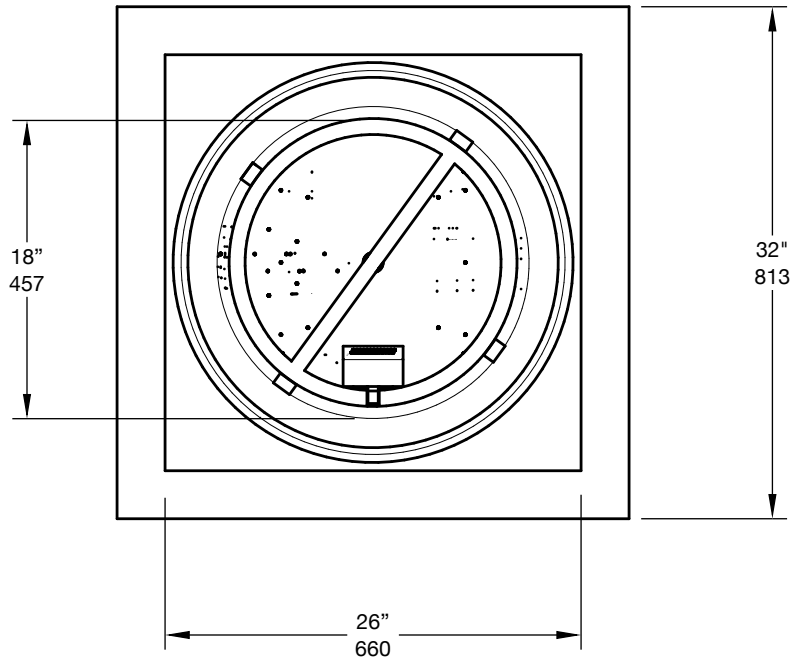
BOTTOM



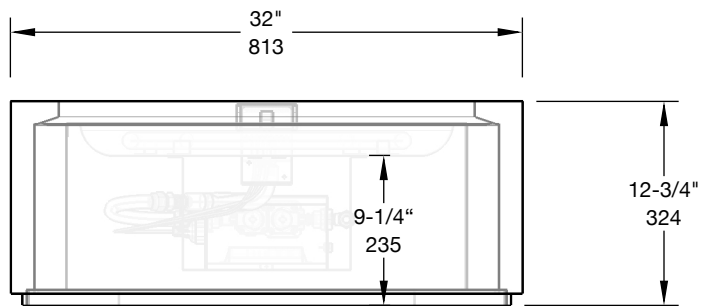
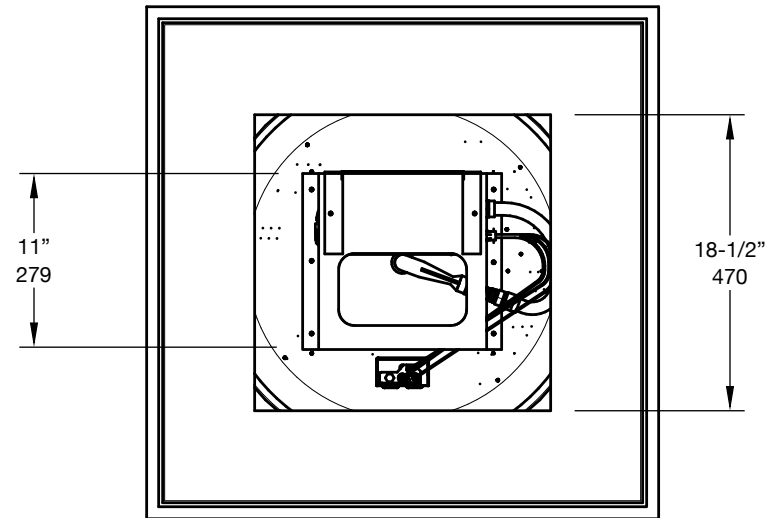
SIDE

	NATURAL GAS	PROPANE
BURNER	CIR-M-18	CIR-M-18P
HEAT OUTPUT	69,000 BTU/h 25 kW	60,000 BTU/h 25 kW
WEIGHT	up to 385 lbs 175 kg	up to 385 lbs 175 kg
AVAILABLE COLOURS	Charcoal, Ash, Dove, Walnut, Chai, Nougat	
AVAILABLE ACCESSORIES	Table Top, Tempered Glass Screen	

TOP



BOTTOM



SIDE

	NATURAL GAS	PROPANE
BURNER	CIR-E-18	CIR-E-18P
HEAT OUTPUT	69,000 BTU/h 25 kW	60,000 BTU/h 25 kW
WEIGHT	up to 385 lbs 175 kg	up to 385 lbs 175 kg
AVAILABLE COLOURS	Charcoal, Ash, Dove, Walnut, Chai, Nougat	
AVAILABLE ACCESSORIES	Table Top, Tempered Glass Screen	