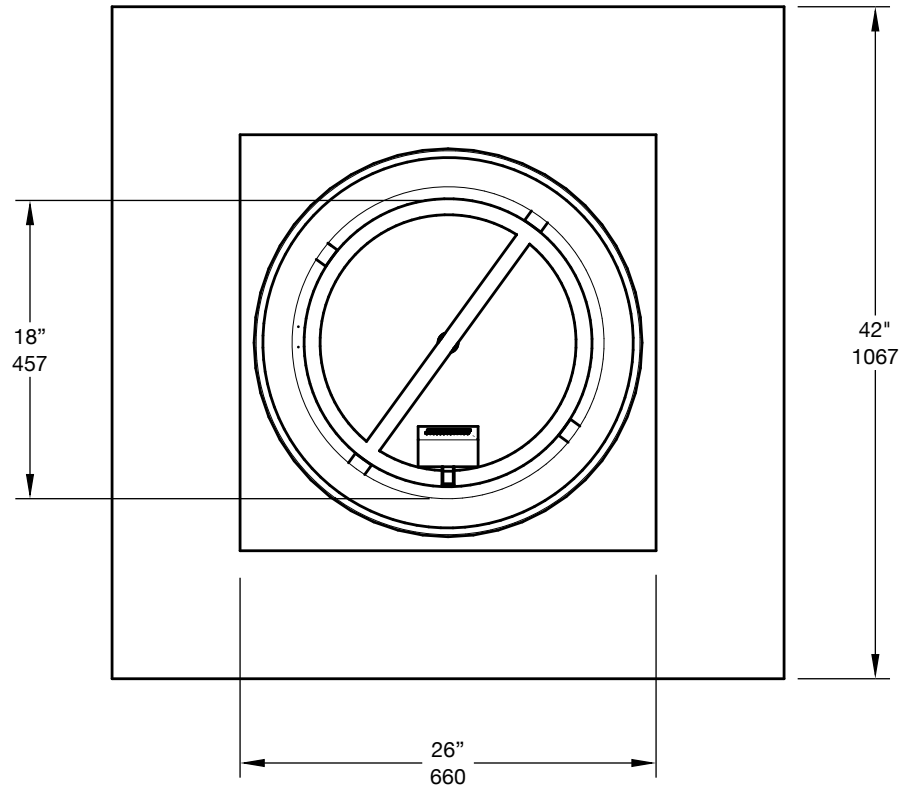
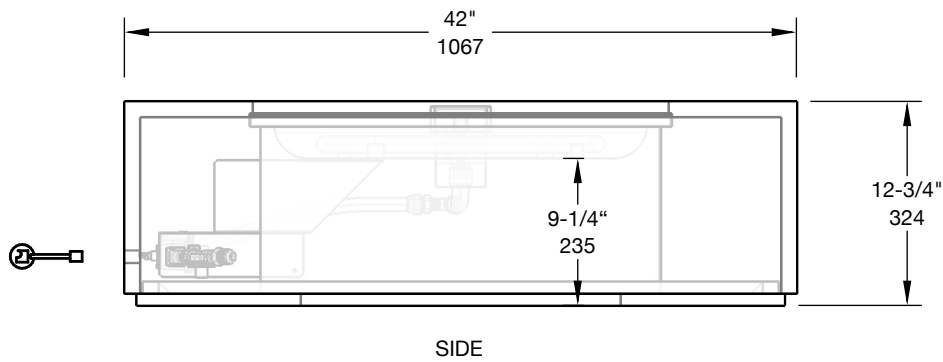
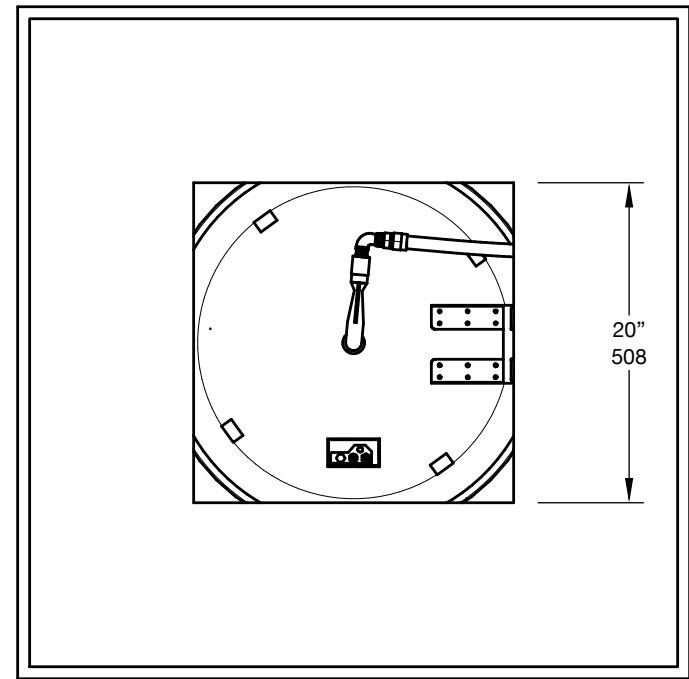


TOP

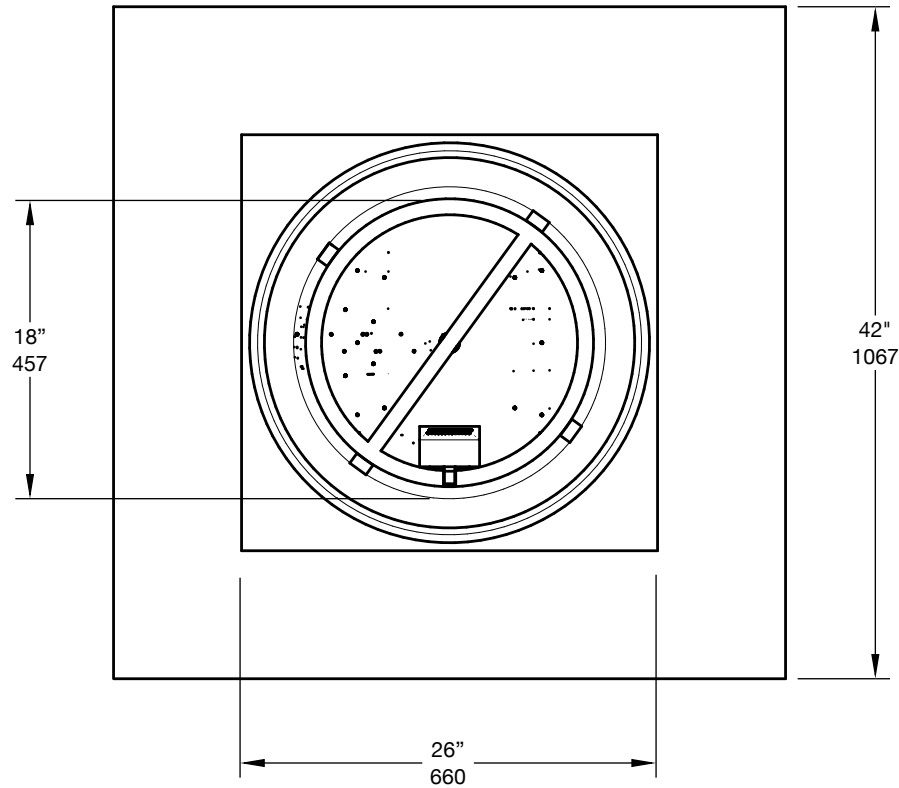


BOTTOM

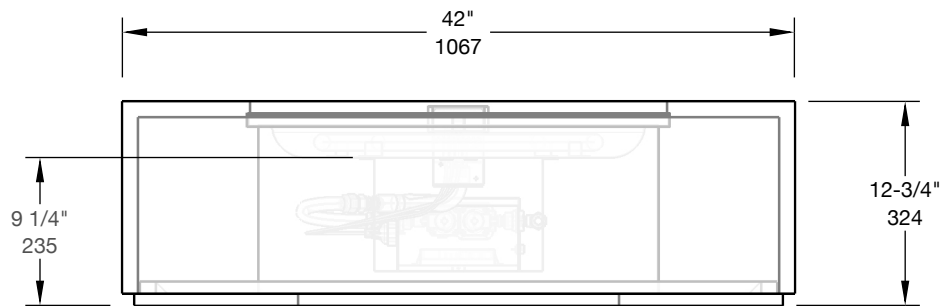
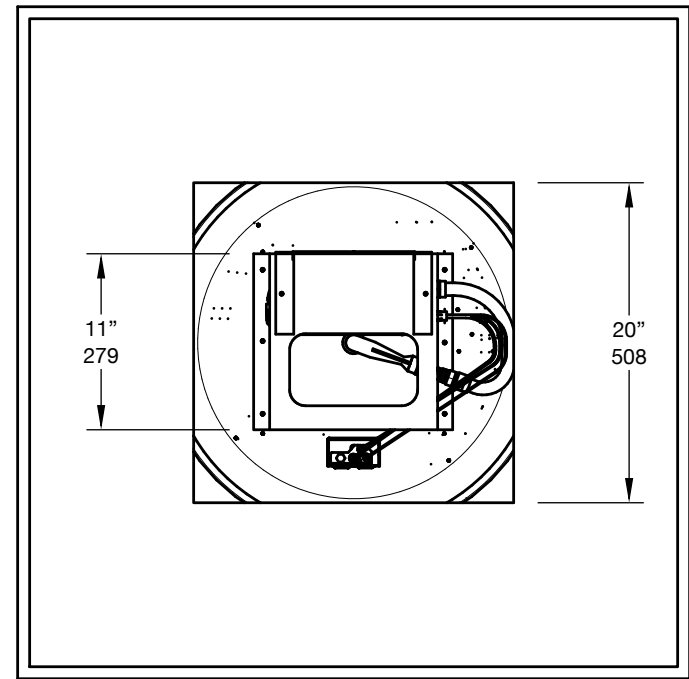


	NATURAL GAS	PROPANE
BURNER	CIR-M-18	CIR-M-18P
HEAT OUTPUT	69,000 BTU/h 25 kW	60,000 BTU/h 25 kW
WEIGHT	up to 525 lbs 240 kg	up to 525 lbs 240 kg
AVAILABLE COLOURS	Charcoal, Ash, Nougat	
AVAILABLE ACCESSORIES	Table Top, Tempered Glass Screen	

TOP



BOTTOM



SIDE

	NATURAL GAS	PROPANE
BURNER	CIR-E-18	CIR-E-18P
HEAT OUTPUT	69,000 BTU/h 25 kW	60,000 BTU/h 25 kW
WEIGHT	up to 525 lbs 240 kg	up to 525 lbs 240 kg
AVAILABLE COLOURS	Charcoal, Ash, Nougat	
AVAILABLE ACCESSORIES	Table Top, Tempered Glass Screen	