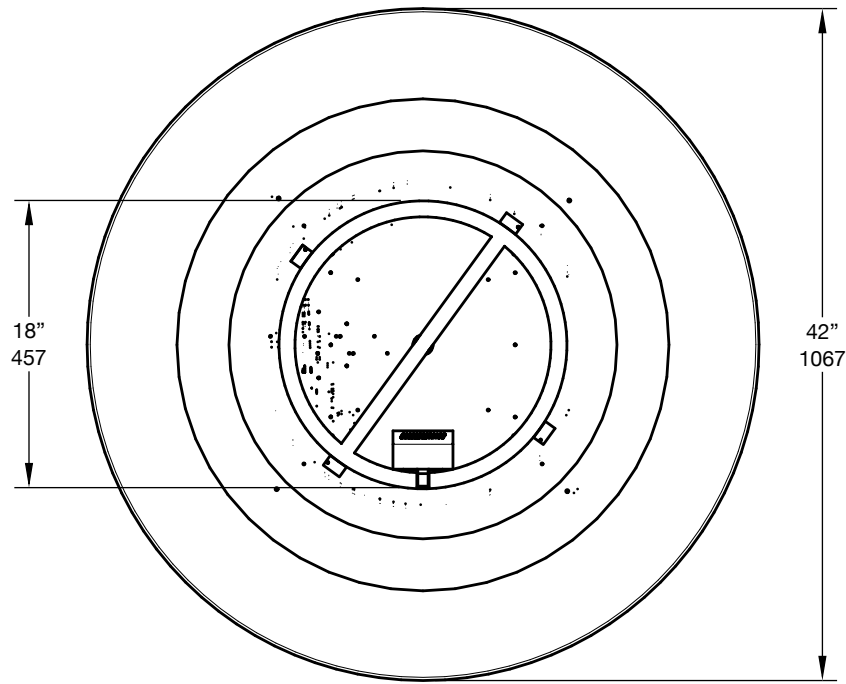
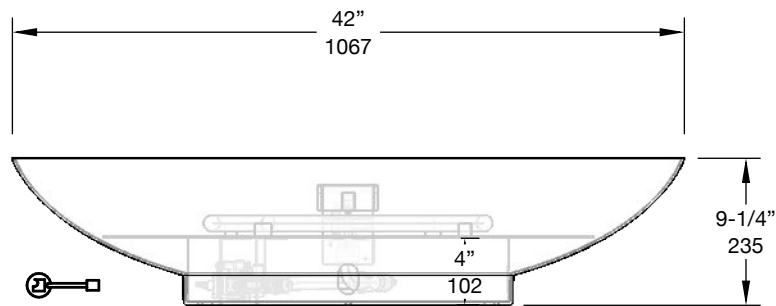
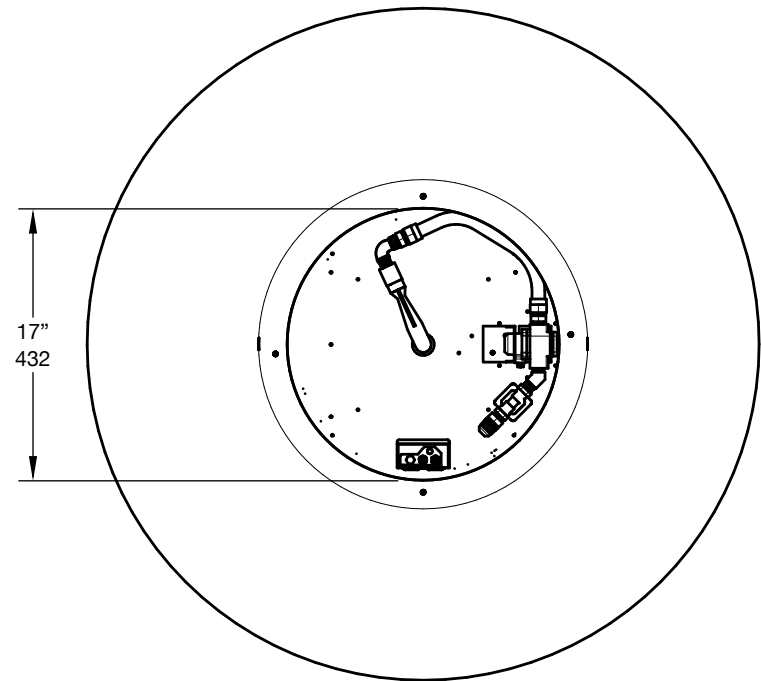


TOP



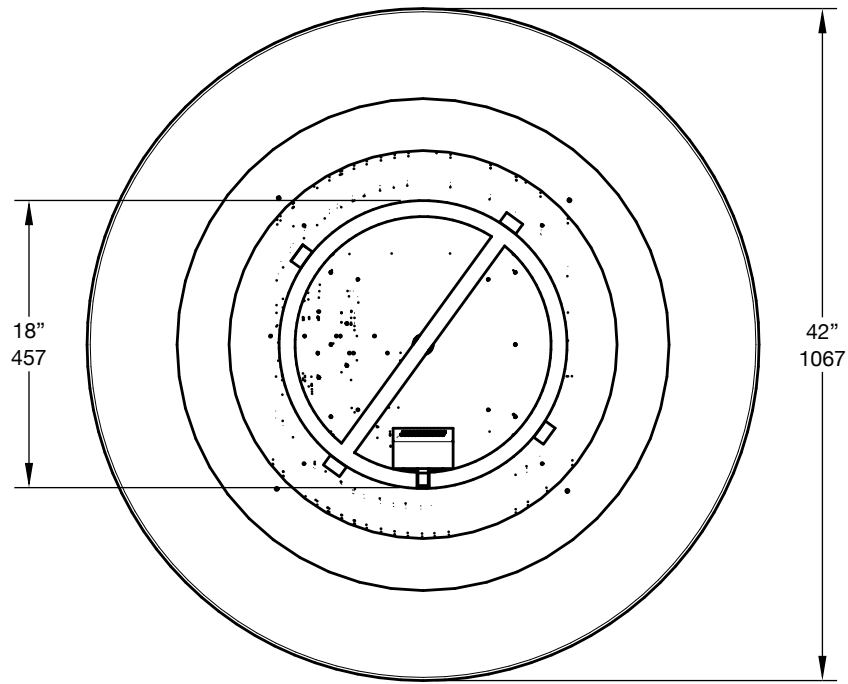
BOTTOM



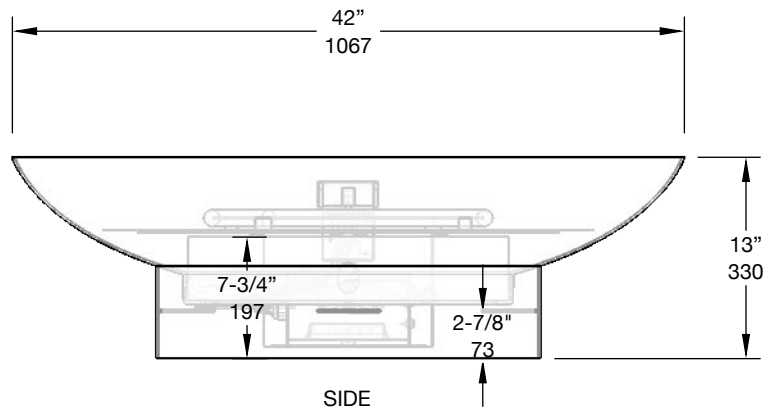
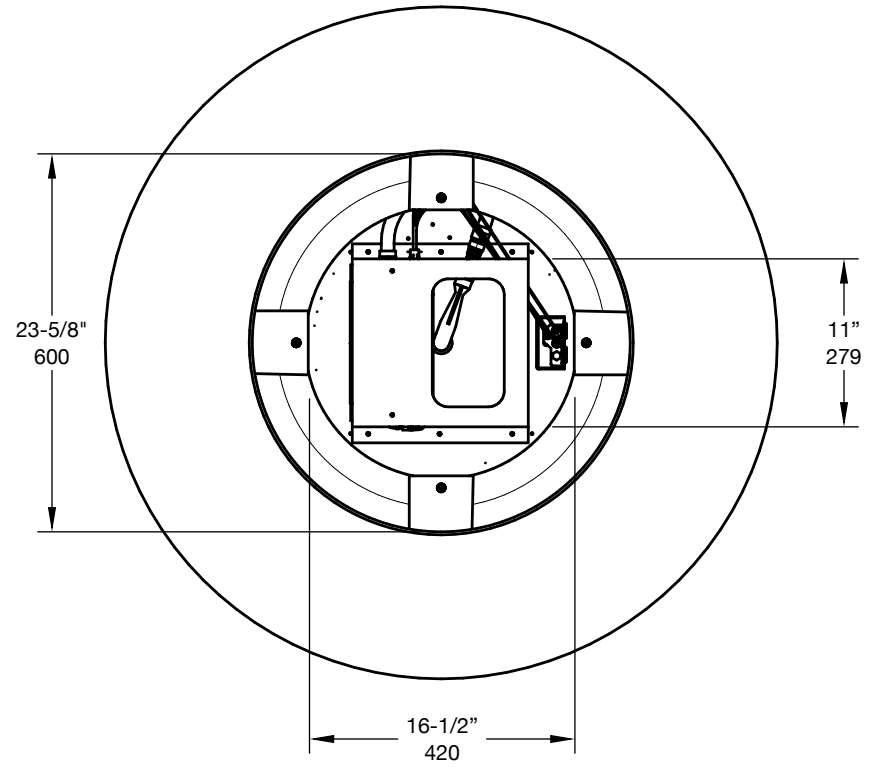
SIDE

	NATURAL GAS	PROPANE
<b>BURNER</b>	CIF-M-18	CIF-M-18P
<b>HEAT OUTPUT</b>	69,000 BTU/h   25 kW	60,000 BTU/h   25 kW
<b>WEIGHT</b>	up to 210 lbs   95 kg	up to 210 lbs   95 kg
<b>AVAILABLE COLOURS</b>	Corten Steel	
<b>AVAILABLE ACCESSORIES</b>	Table Top	

TOP



BOTTOM



	NATURAL GAS	PROPANE
<b>BURNER</b>	CIF-E-18	CIF-E-18P
<b>HEAT OUTPUT</b>	69,000 BTU/h   25 kW	60,000 BTU/h   25 kW
<b>WEIGHT</b>	up to 235 lbs   106 kg	up to 235 lbs   106 kg
<b>AVAILABLE COLOURS</b>	Corten Steel	
<b>AVAILABLE ACCESSORIES</b>	Table Top	