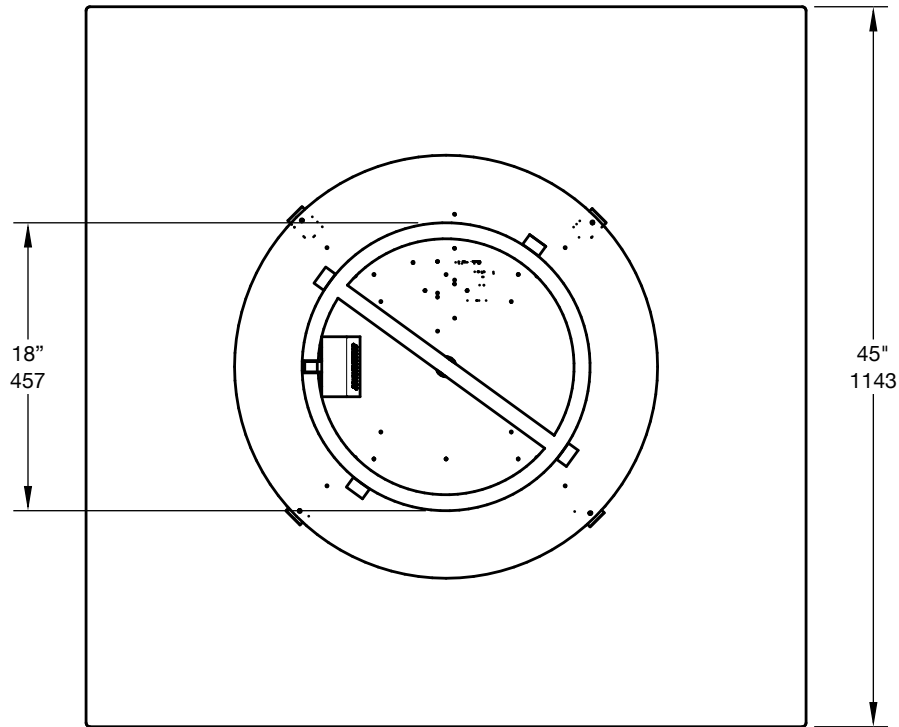
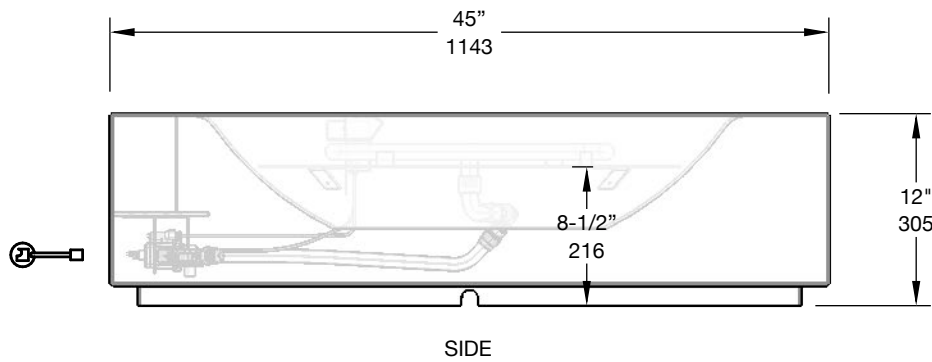
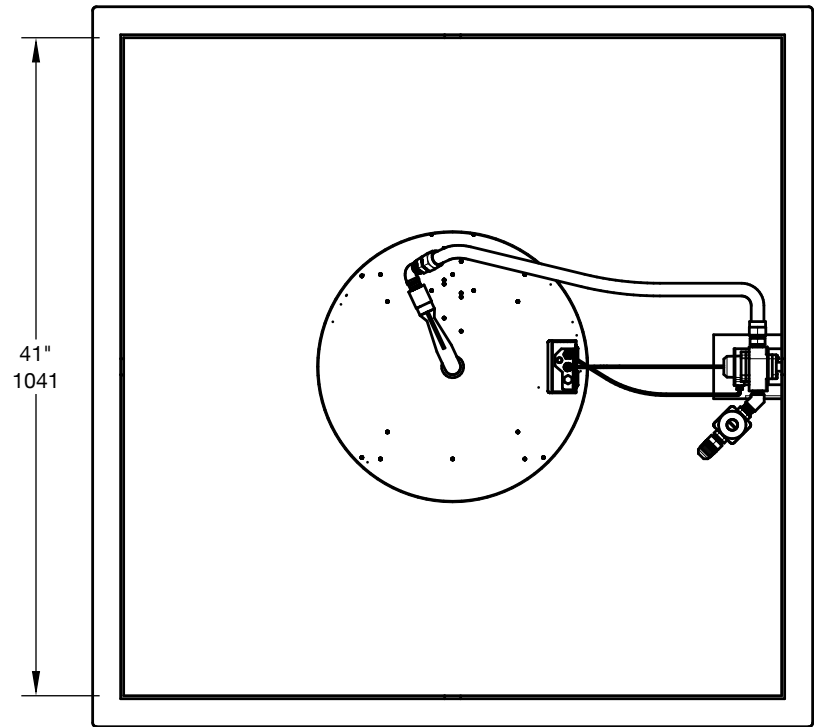


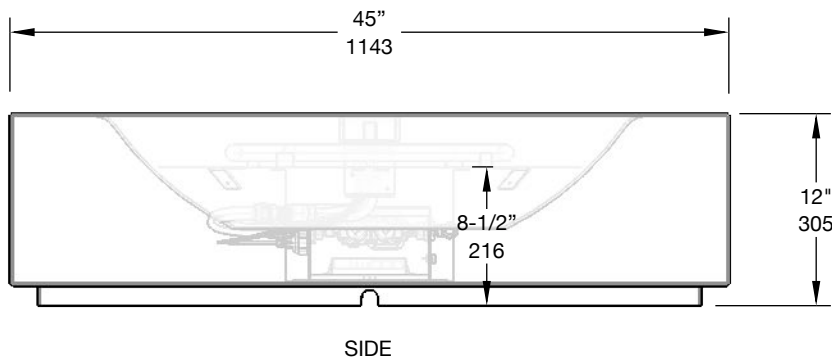
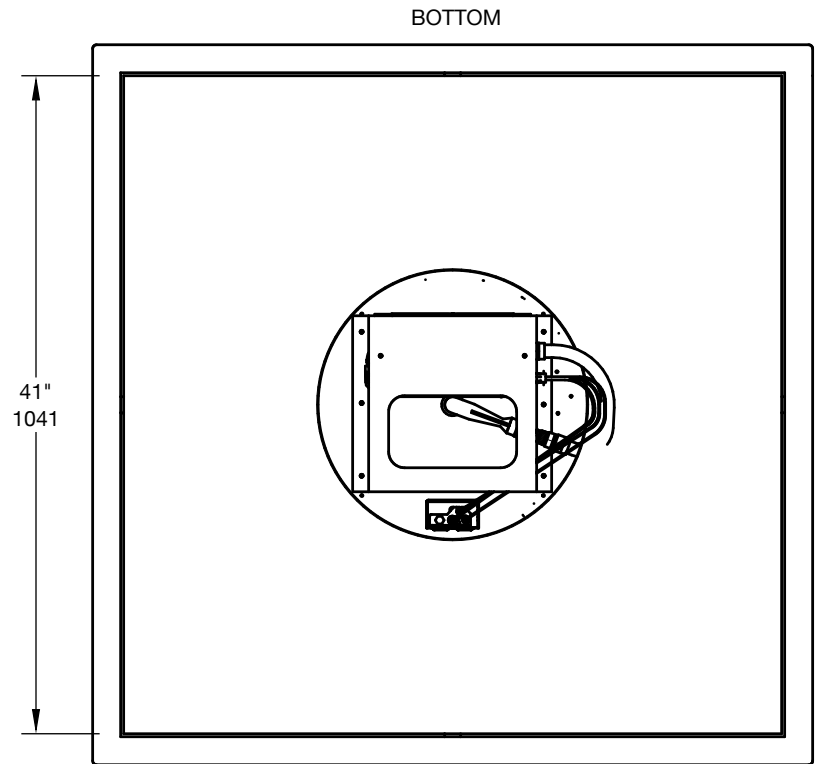
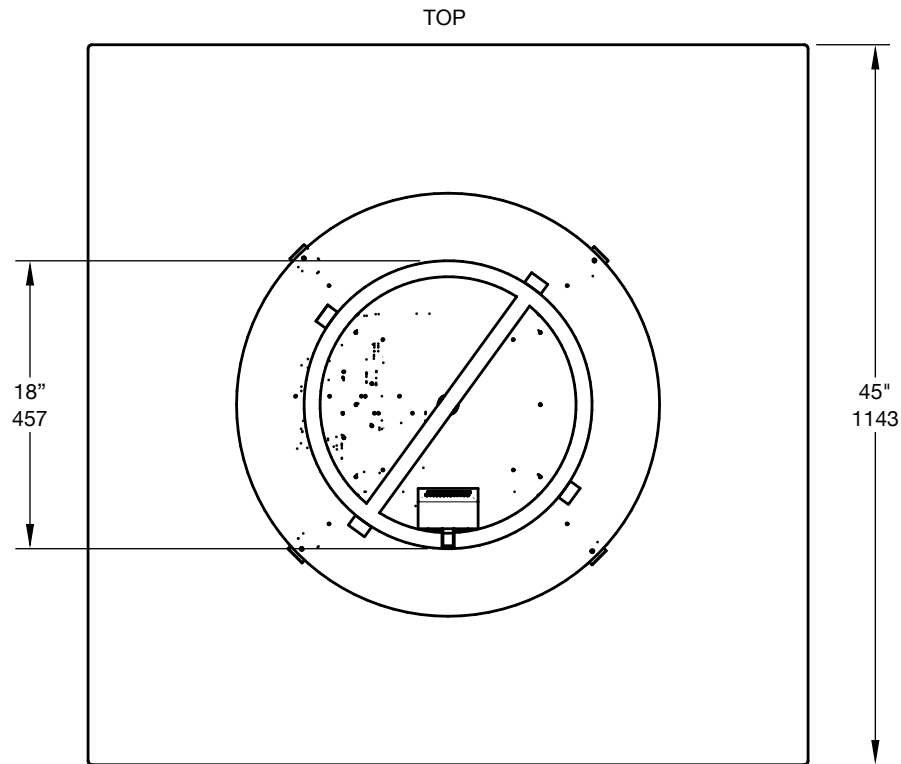
TOP



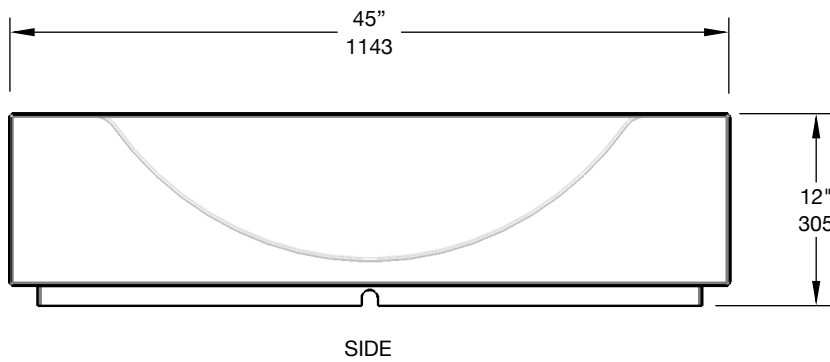
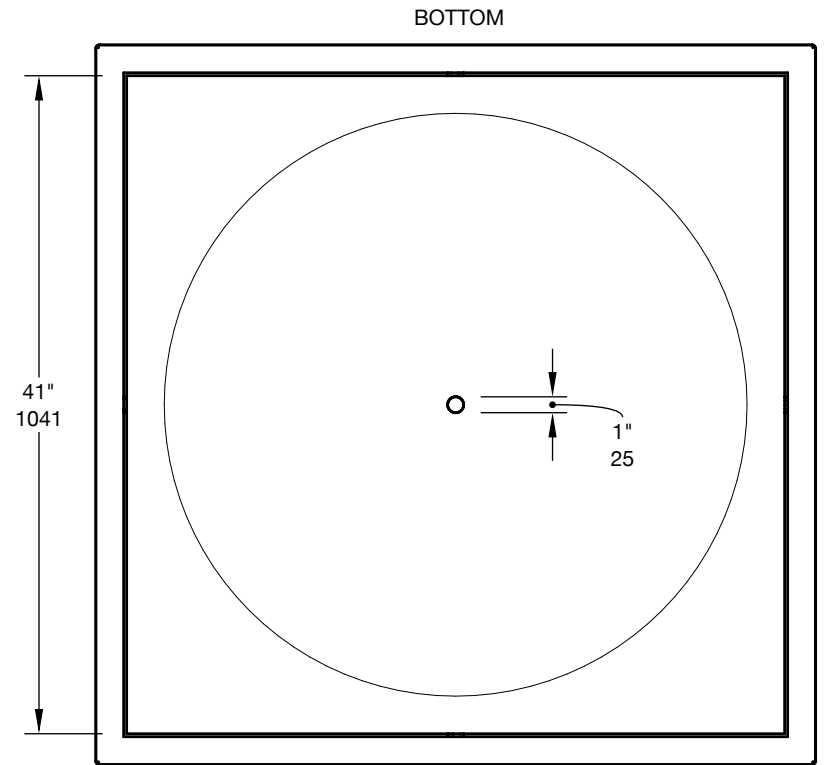
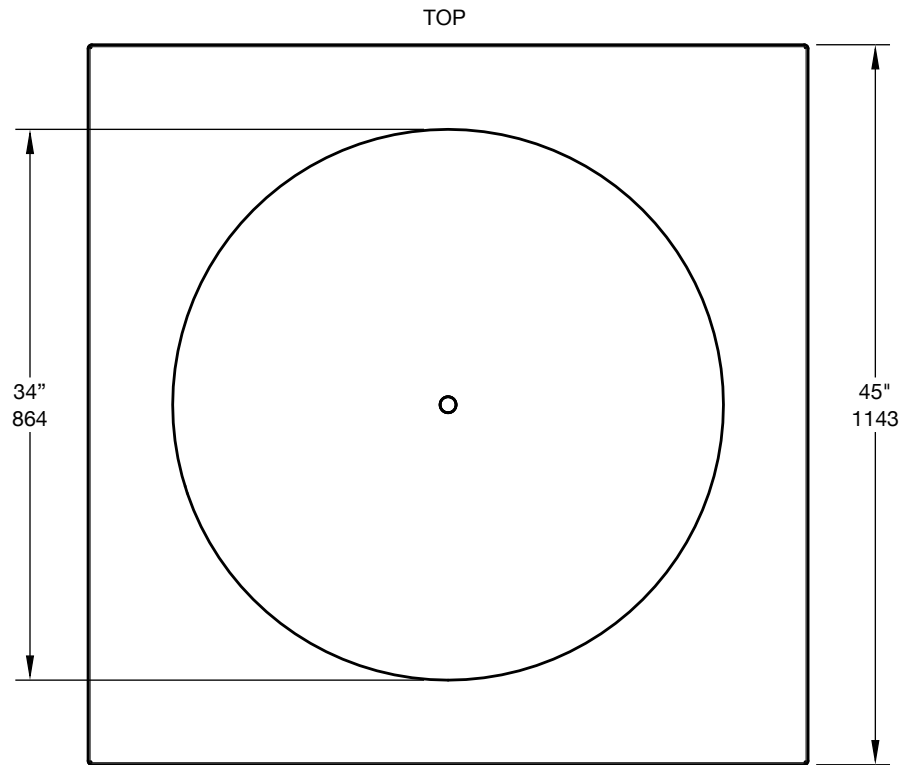
BOTTOM



	NATURAL GAS	PROPANE
BURNER	CIF-M-18	CIF-M-18P
HEAT OUTPUT	69,000 BTU/h 25 kW	60,000 BTU/h 25 kW
WEIGHT	up to 425 lbs 195 kg	up to 425 lbs 195 kg
AVAILABLE COLOURS	Corten Steel	
AVAILABLE ACCESSORIES	Table Top	



	NATURAL GAS	PROPANE
BURNER	CIF-E-18	CIF-E-18P
HEAT OUTPUT	69,000 BTU/h 25 kW	60,000 BTU/h 25 kW
WEIGHT	up to 425 lbs 195 kg	up to 425 lbs 195 kg
AVAILABLE COLOURS	Corten Steel	
AVAILABLE ACCESSORIES	Table Top	



WEIGHT	250 / 113
AVAILABLE COLOURS	Corten Steel
AVAILABLE ACCESSORIES	Table Top