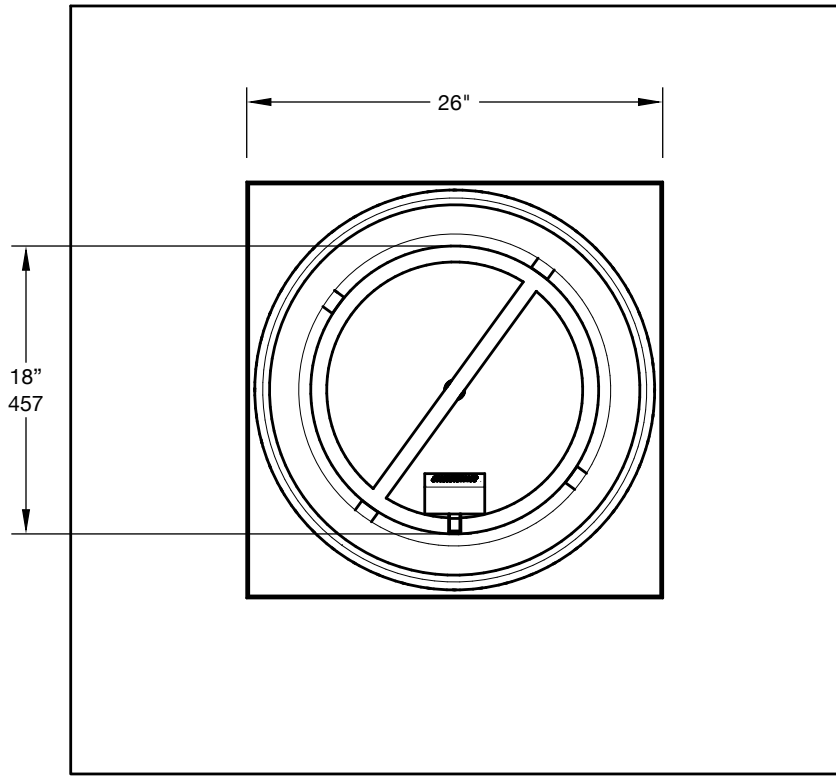
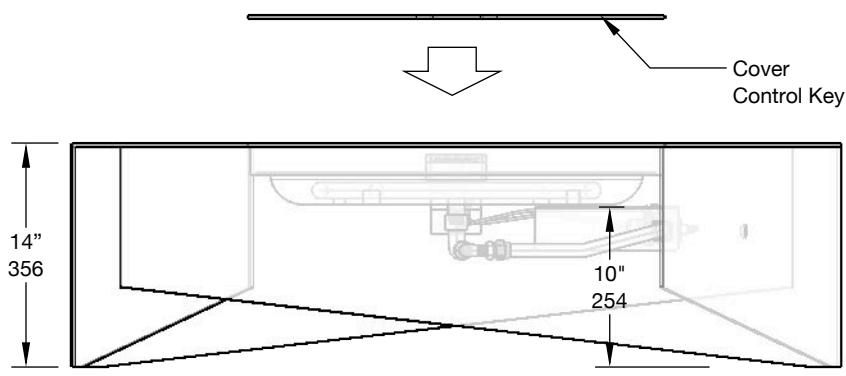
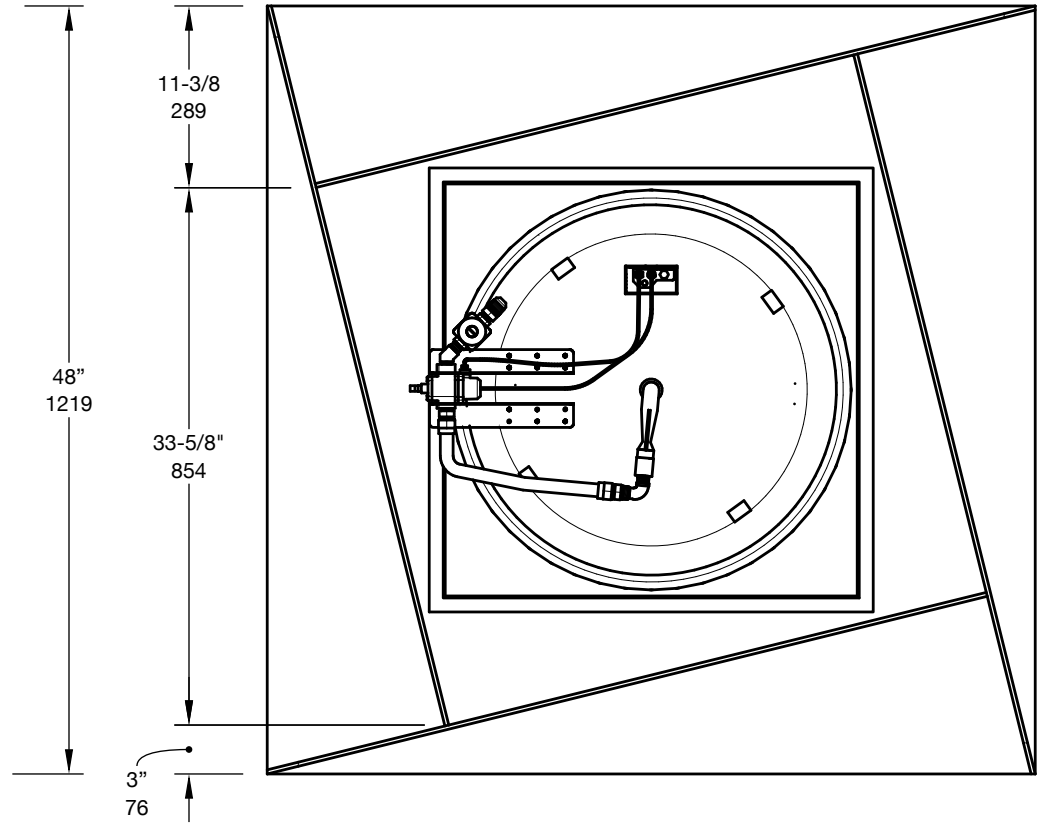


TOP



BOTTOM



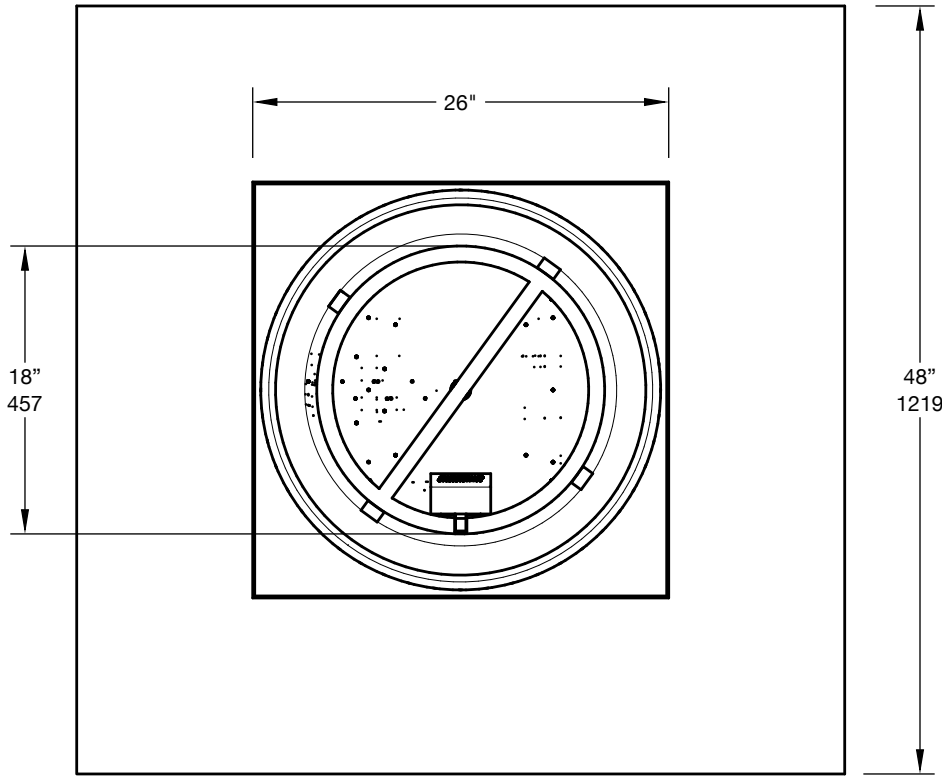
SIDE

Cover Control Key

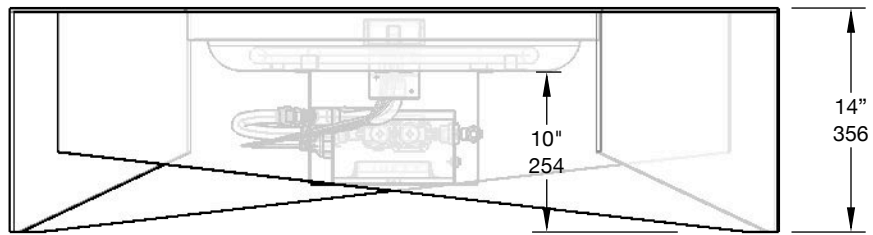
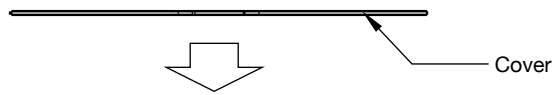
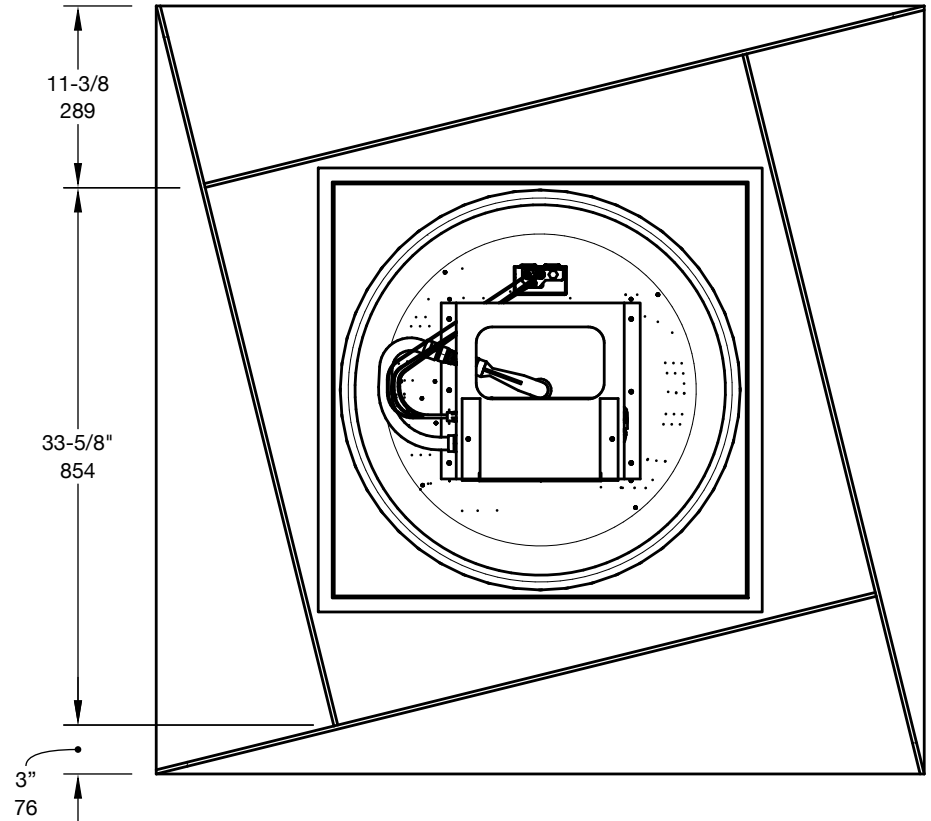


	NATURAL GAS	PROPANE
BURNER	CIR-M-18	CIR-M-18P
HEAT OUTPUT	69,000 BTU/h 25 kW	60,000 BTU/h 25 kW
WEIGHT	up to 275 lbs 125 kg	up to 275 lbs 125 kg
AVAILABLE COLOURS	Powder-Coated Aluminum: Black, White, Graphite; Corten Steel	
AVAILABLE ACCESSORIES	Tempered Glass Screen	

TOP



BOTTOM



SIDE

	NATURAL GAS	PROPANE
BURNER	CIR-E-18	CIR-E-18P
HEAT OUTPUT	69,000 BTU/h 25 kW	60,000 BTU/h 25 kW
WEIGHT	up to 275 lbs 125 kg	up to 275 lbs 125 kg
AVAILABLE COLOURS	Powder-Coated Aluminum: Black, White, Graphite; Corten Steel	
AVAILABLE ACCESSORIES	Tempered Glass Screen	