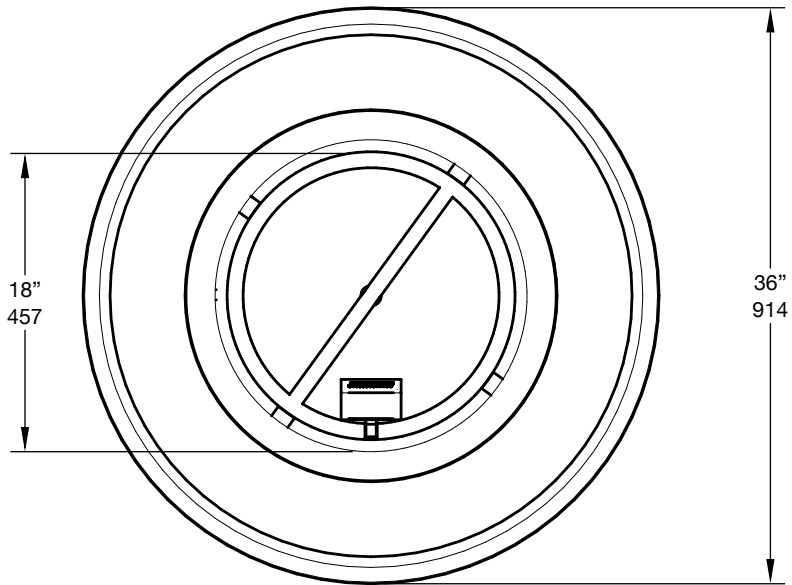
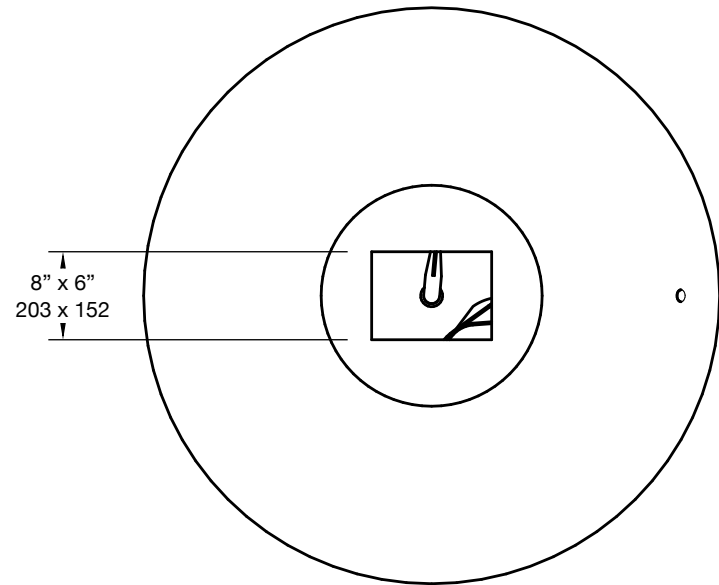


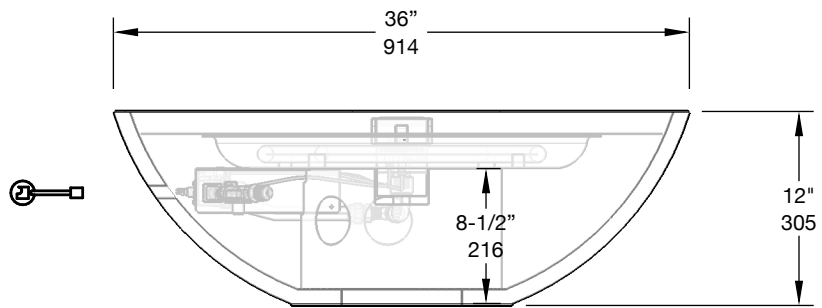
TOP



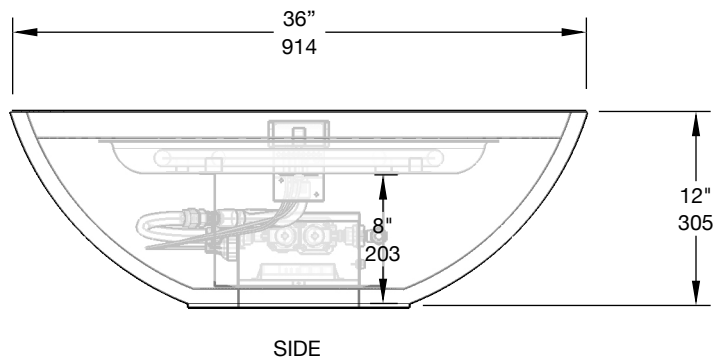
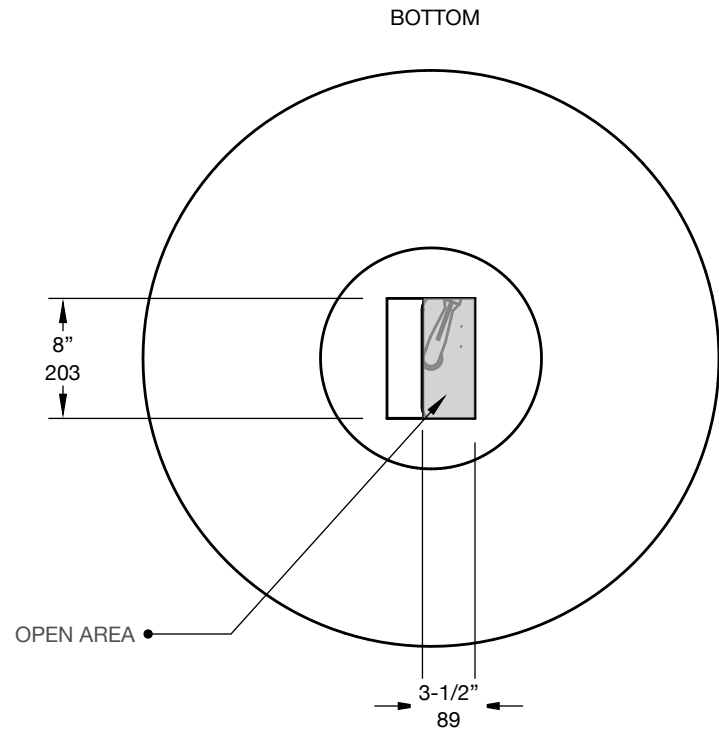
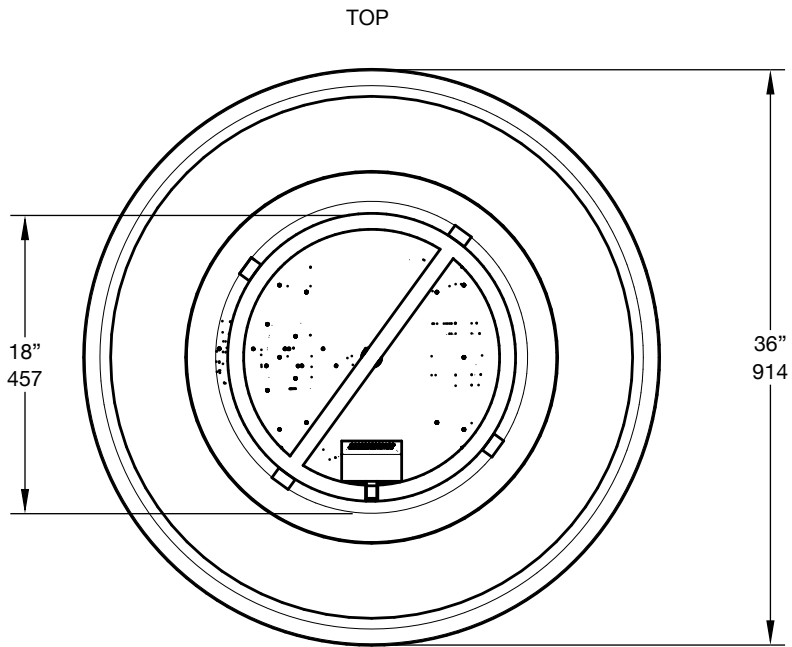
BOTTOM



SIDE



	NATURAL GAS	PROPANE
<b>BURNER</b>	CIR-M-18	CIR-M-18P
<b>HEAT OUTPUT</b>	69,000 BTU/h   25 kW	60,000 BTU/h   25 kW
<b>WEIGHT</b>	up to 280 lbs   130 kg	up to 280 lbs   130 kg
<b>AVAILABLE COLOURS</b>	Charcoal, Ash, Dove, Walnut, Chai, Nougat	
<b>AVAILABLE ACCESSORIES</b>	Table Top	



	NATURAL GAS	PROPANE
<b>BURNER</b>	CIR-E-18	CIR-E-18P
<b>HEAT OUTPUT</b>	69,000 BTU/h   25 kW	60,000 BTU/h   25 kW
<b>WEIGHT</b>	up to 280 lbs   130 kg	up to 280 lbs   130 kg
<b>AVAILABLE COLOURS</b>	Charcoal, Ash, Dove, Walnut, Chai, Nougat	
<b>AVAILABLE ACCESSORIES</b>	Table Top	