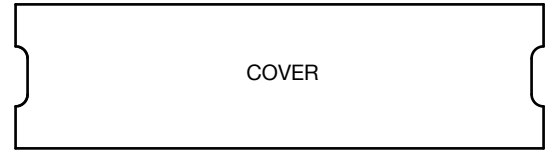
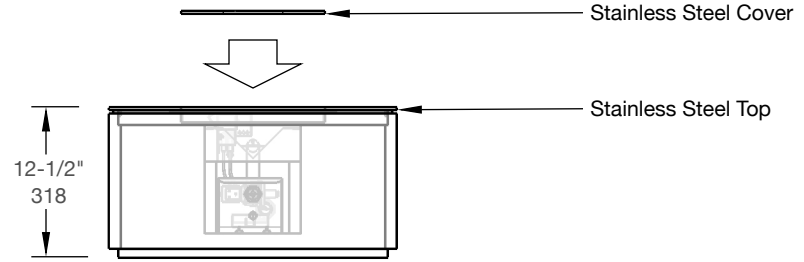
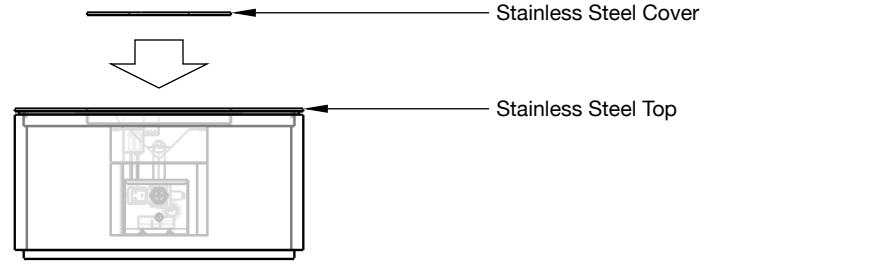
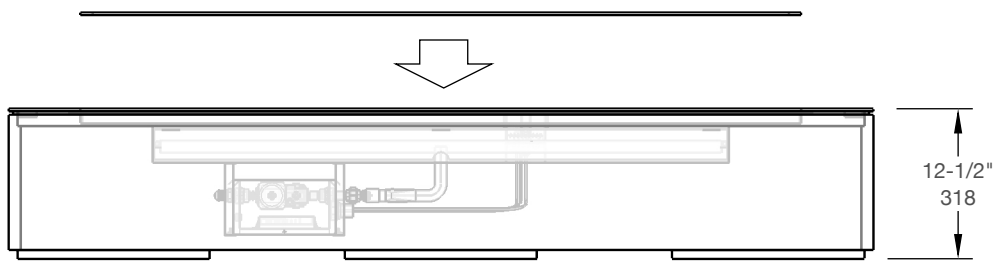
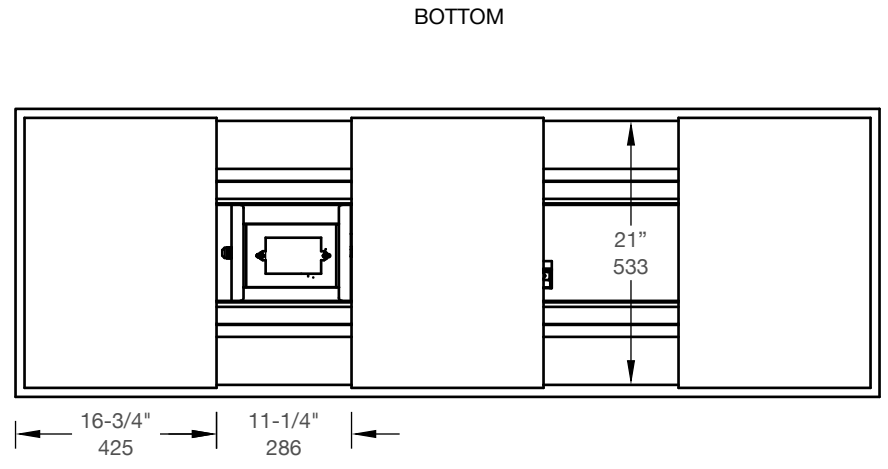
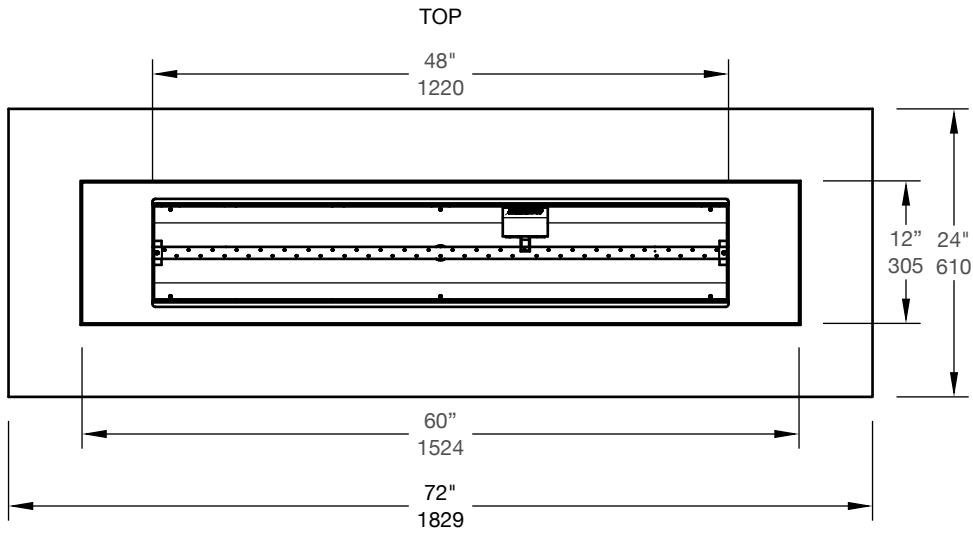


SIDE



	NATURAL GAS	PROPANE
<b>BURNER</b>	LIN-(E)-36	LIN-(E)-36P
<b>HEAT OUTPUT</b>	60,000 BTU/h   18 kW	60,000 BTU/h   18 kW
<b>WEIGHT</b>	up to 425 lbs   195 kg	up to 425 lbs   195 kg
<b>AVAILABLE COLOURS</b>	Concrete: Charcoal, Ash, Nougat Stainless Steel Top	
<b>AVAILABLE ACCESSORIES</b>	Tempered Glass Screen	



SIDE



	NATURAL GAS	PROPANE
<b>BURNER</b>	LIN-(E)-48	LIN-(E)-48P
<b>HEAT OUTPUT</b>	80,000 BTU/h   25 kW	80,000 BTU/h   25 kW
<b>WEIGHT</b>	up to 525 lbs   240 kg	up to 525 lbs   240 kg
<b>AVAILABLE COLOURS</b>	Concrete: Charcoal, Ash, Nougat Stainless Steel Top	
<b>AVAILABLE ACCESSORIES</b>	Tempered Glass Screen	