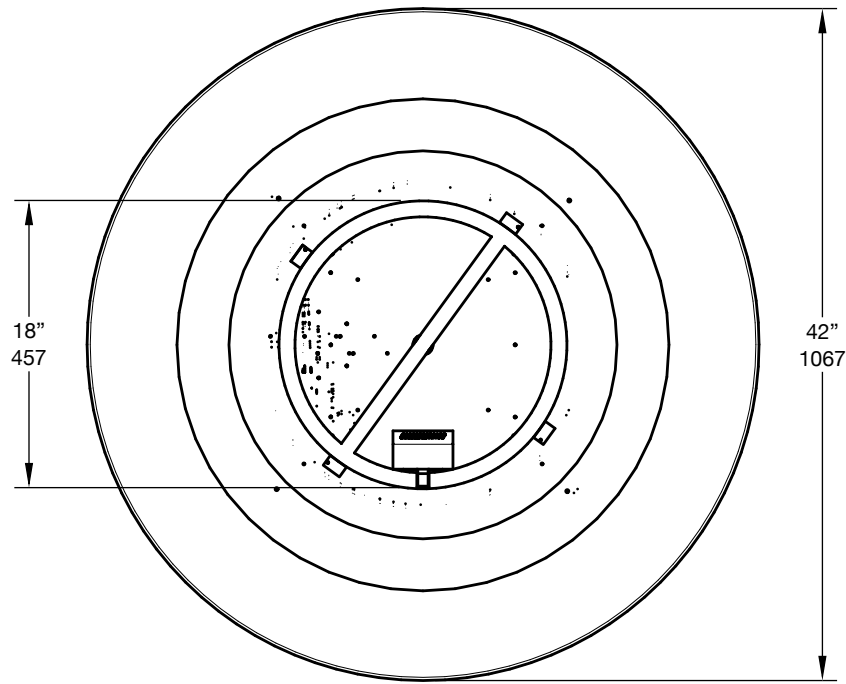
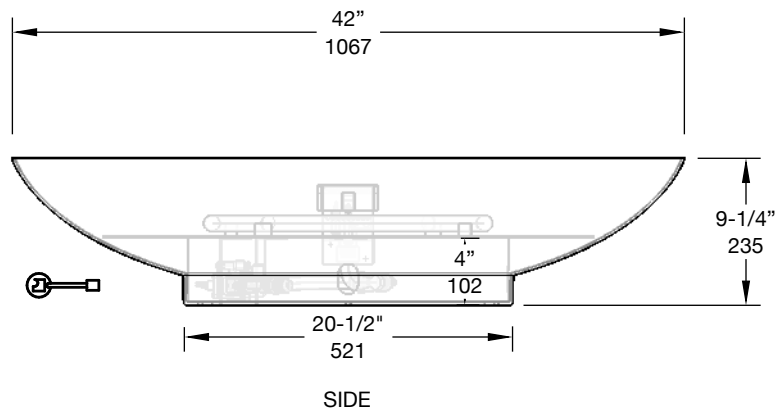
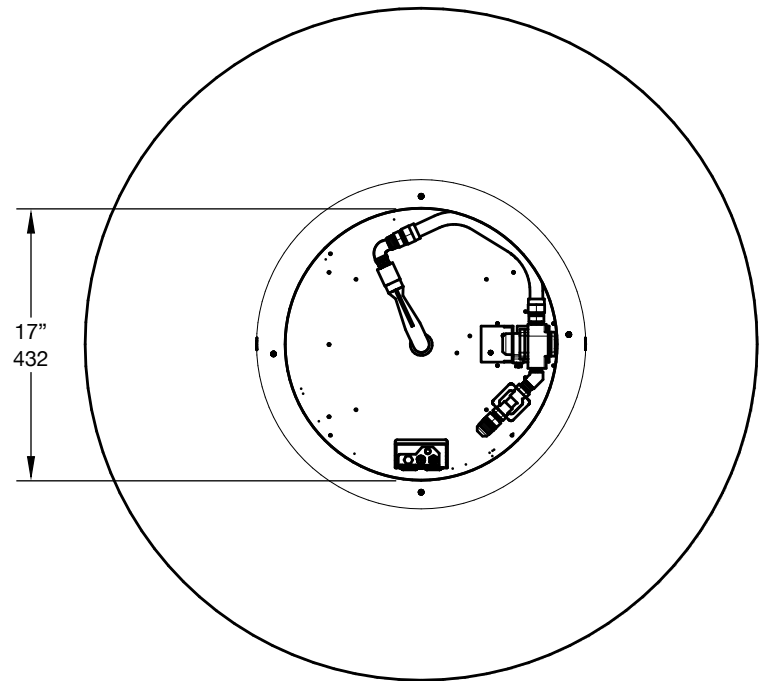


TOP



BOTTOM



**Technical Data**

**Burner Model:**

**Heat Output:**

**Clearances to**

**Combustibles:**

**Available Finishes:**

**Available Accessories:**

**Burner Certifications  
& Standards:**

**Installed Weight:**

**Crated Weight:**

**Crate Size:**

**Vessel Material & Weight:**

**Natural Gas**

CIR-M-18

69,000 BTU/h / 25 kW

Above: 72" Below: 0" Sides: 10"

Corten Steel

Aluminum Table Top

US & Canada - ETL ANSI Z21.97 CSA 2.4.1

UK & EU - CE GAR (EU) 2016/426

Switzerland - SVGW

up to 210 lbs | 95 kg

up to 350 lbs / 160 kg

46"x46"x18"h / 117x117x56 cm

3/16" Corten Steel 75 lbs / 35 kg

**Propane**

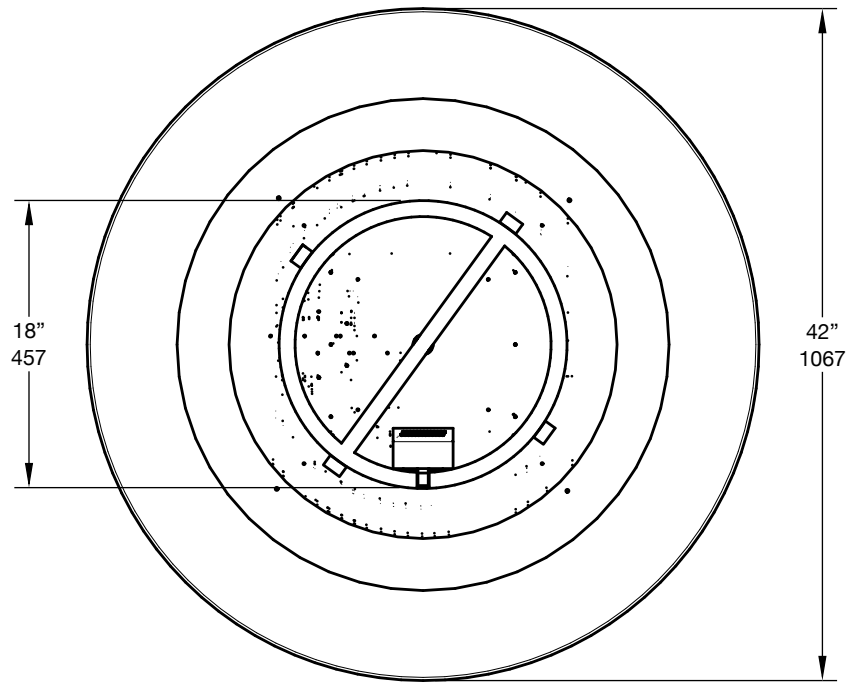
CIR-M-18P

60,000 BTU/h / 25 kW

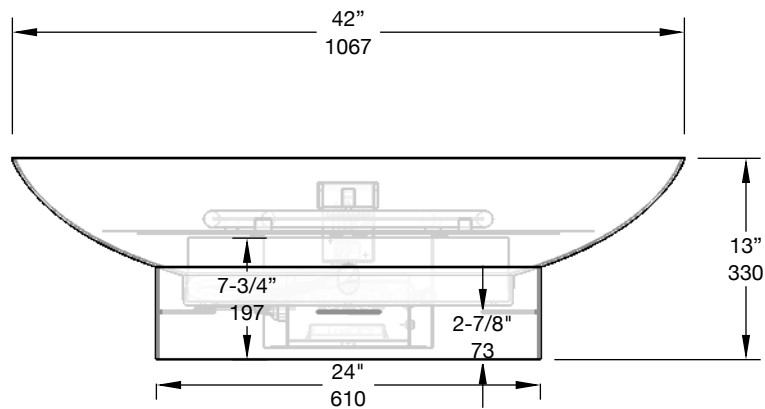
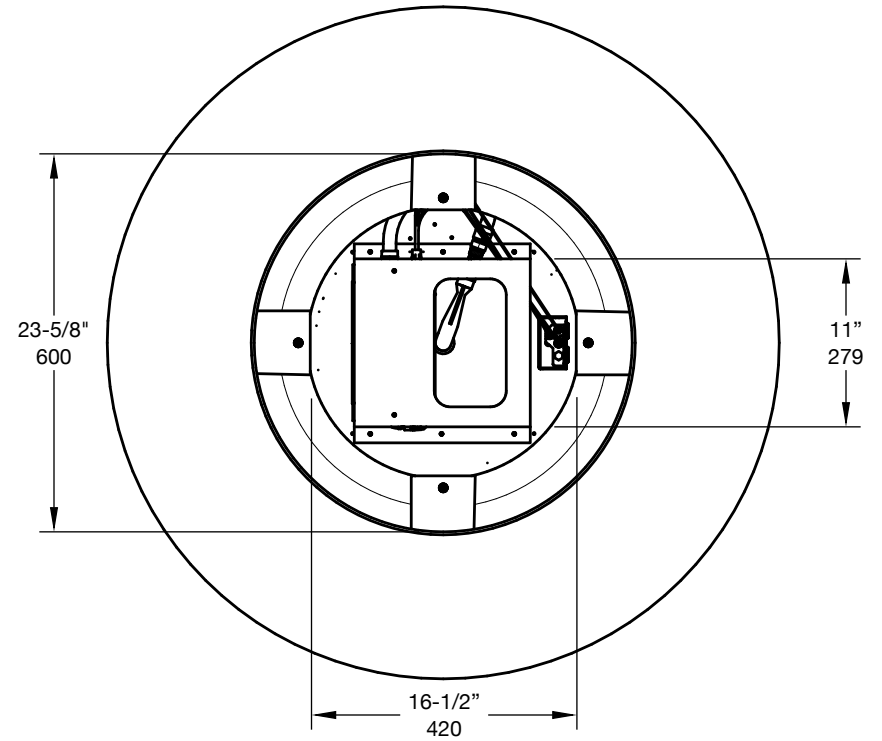
For more information, visit [paloform.com/fire-pits/bol](http://paloform.com/fire-pits/bol)



TOP



BOTTOM



SIDE

**Technical Data**

**Burner Model:**

**Heat Output:**

**Clearances to**

**Combustibles:**

**Available Finishes:**

**Available Accessories:**

**Burner Certifications  
& Standards:**

**Installed Weight:**

**Crated Weight:**

**Crate Size:**

**Vessel Material & Weight:**

**Natural Gas**

CIR-E-18

69,000 BTU/h / 25 kW

Above: 72" Below: 0" Sides: 10"

Corten Steel

Aluminum Table Top

US & Canada - ETL ANSI Z21.97 CSA 2.4.1

UK & EU - CE GAR (EU) 2016/426

Switzerland - SVGW

up to 235 lbs | 106 kg

up to 375 lbs / 170 kg

46"x46"x22"h / 117x117x56 cm

3/16" Corten Steel 100 lbs / 45 kg

**Propane**

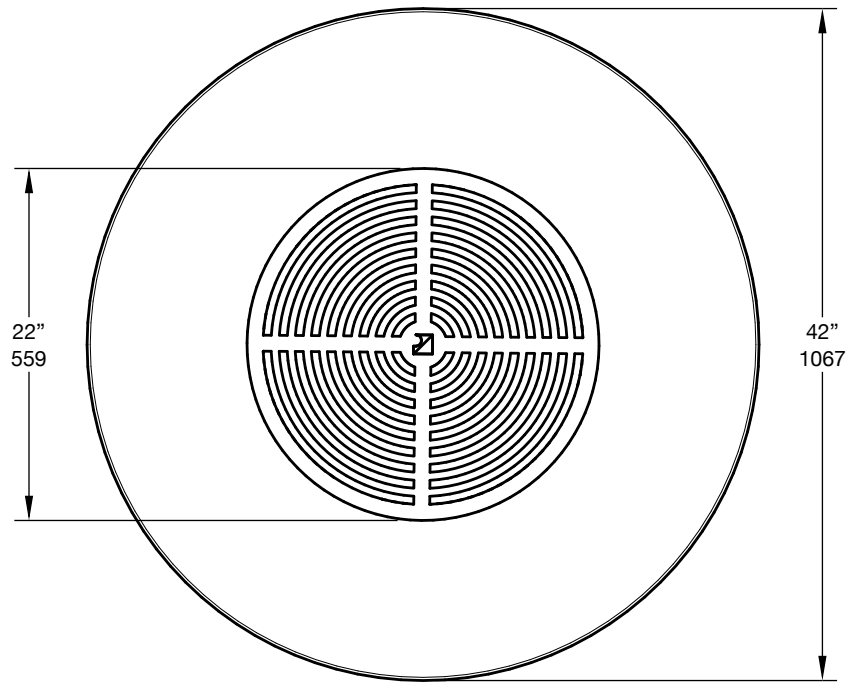
CIR-E-18P

60,000 BTU/h / 25 kW

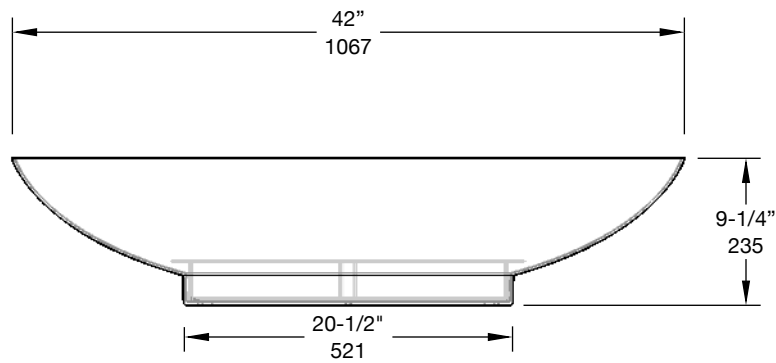
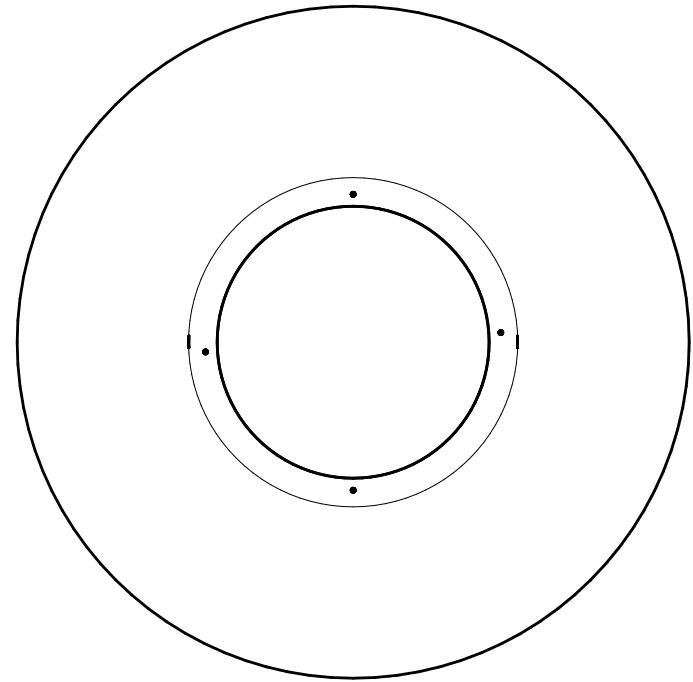
For more information, visit [paloform.com/fire-pits/bol](http://paloform.com/fire-pits/bol)



TOP



BOTTOM



SIDE

**Technical Data**

- Installed Weight:** up to 100 lbs | 45 kg
- Crated Weight:** up to 225 lbs / 105 kg
- Crate Size:** 46"x46"x18"h / 117x117x46 cm
- Vessel Material & Weight:** 3/16" Corten Steel 75 lbs / 35 kg

For more information, visit [paloform.com/fire-pits/bol](http://paloform.com/fire-pits/bol)

