

Technical Data

Burner Model:

Heat Output:

Clearances to

Combustibles:

Available Finishes:

Available Accessories:

Burner Certifications

& Standards:

Installed Weight:

Crated Weight:

Crate Size:

Vessel Material & Weight:

Natural Gas

CIR-M-18

69,000 BTU/h / 25 kW

Propane

CIR-M-18P

60,000 BTU/h / 25 kW

Above: 72" Below: 0" Sides: 12"

Charcoal, Ash, Dove, Walnut, Chai, Nougat
Aluminum Table Top, Tempered Glass Screen

US & Canada - ETL ANSI Z21.97 CSA 2.4.1

UK & EU - CE GAR (EU) 2016/426

Switzerland - SVGW

up to 280 lbs | 130 kg

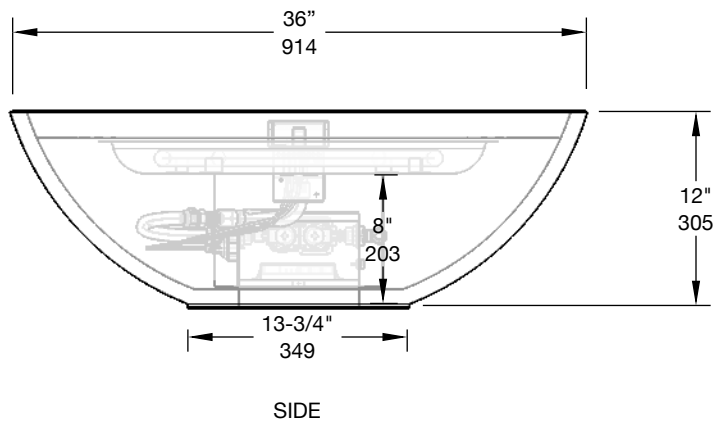
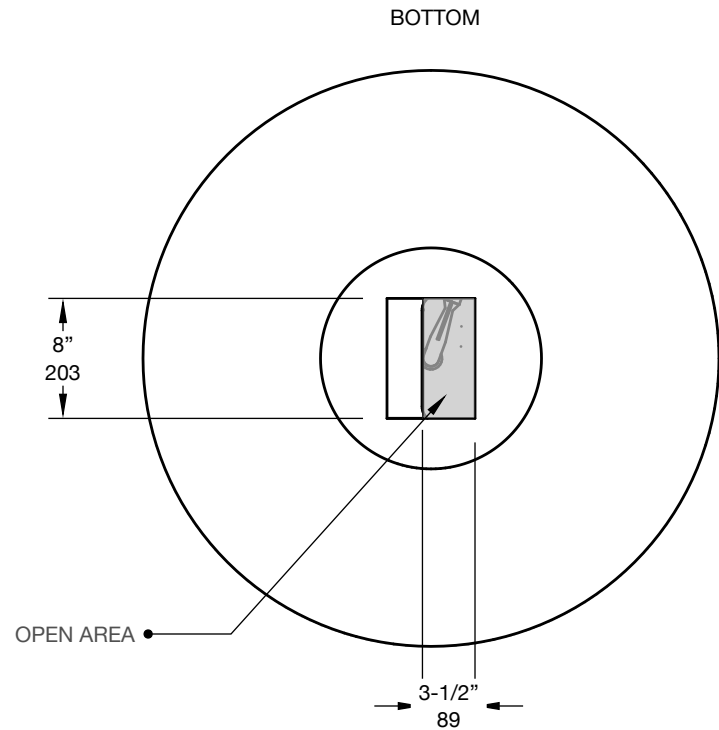
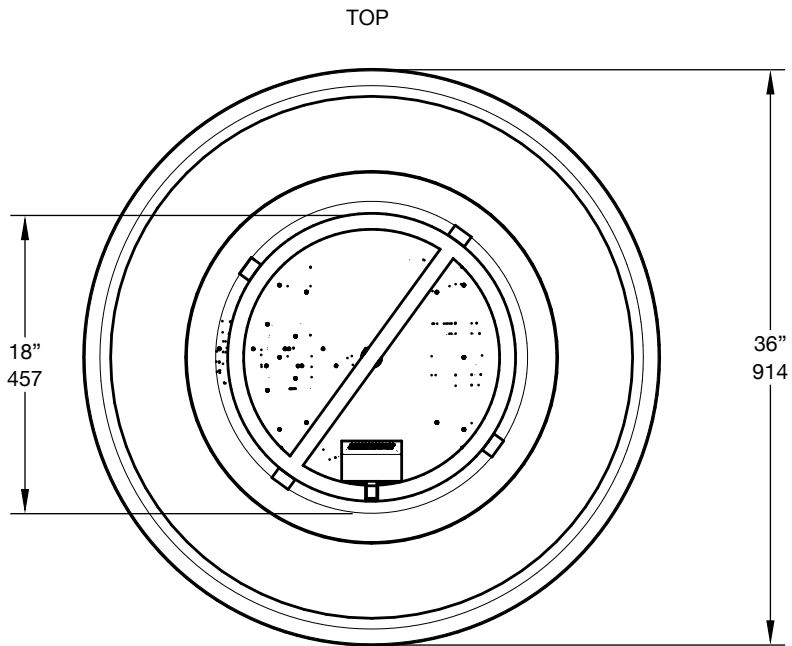
up to 400 lbs / 180 kg

42"x42"x22"h / 107x107x56 cm

Hand Cast Concrete 125 lbs / 56 kg

For more information, visit paloform.com/fire-pits/miso





Technical Data

Burner Model:

Heat Output:

Clearances to

Combustibles:

Available Finishes:

Available Accessories:

Burner Certifications

& Standards:

Installed Weight:

Crated Weight:

Crate Size:

Vessel Material & Weight:

Natural Gas

CIR-E-18

69,000 BTU/h / 25 kW

Propane

CIR-E-18P

60,000 BTU/h / 25 kW

Above: 72" Below: 0" Sides: 12"

Charcoal, Ash, Dove, Walnut, Chai, Nougat
Aluminum Table Top, Tempered Glass Screen

US & Canada - ETL ANSI Z21.97 CSA 2.4.1

UK & EU - CE GAR (EU) 2016/426

Switzerland - SVGW

up to 280 lbs | 130 kg

up to 400 lbs / 180 kg

42"x42"x22"h / 107x107x56 cm

Hand Cast Concrete 125 lbs / 56 kg

For more information, visit paloform.com/fire-pits/miso

