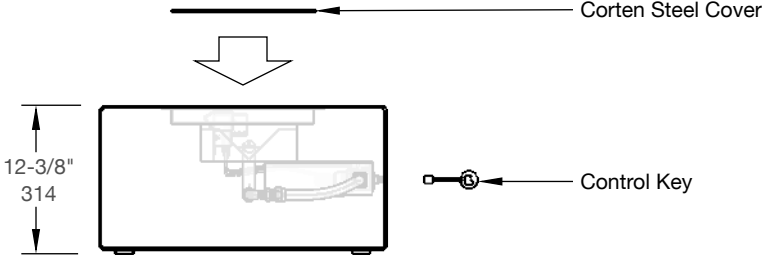
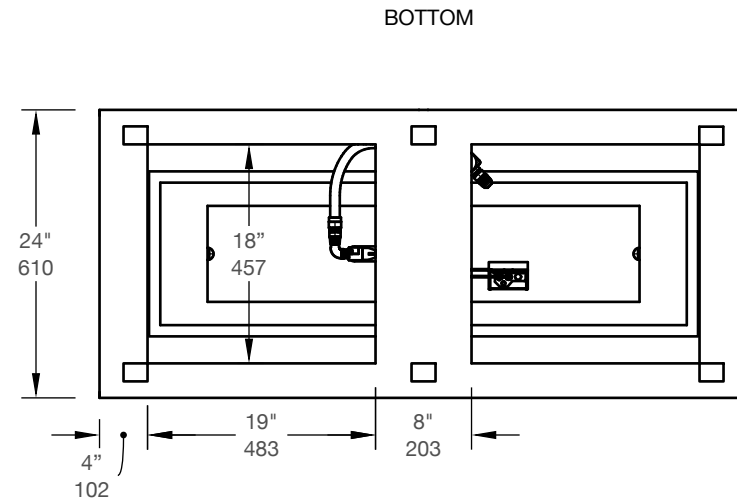
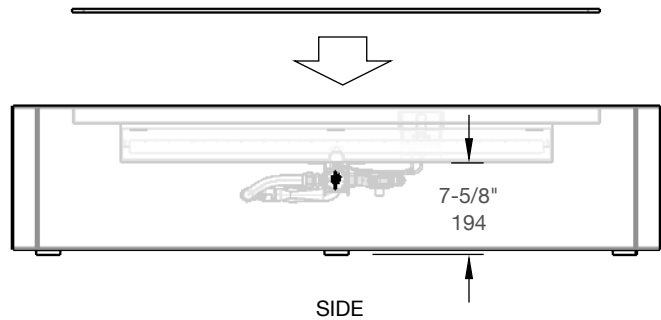
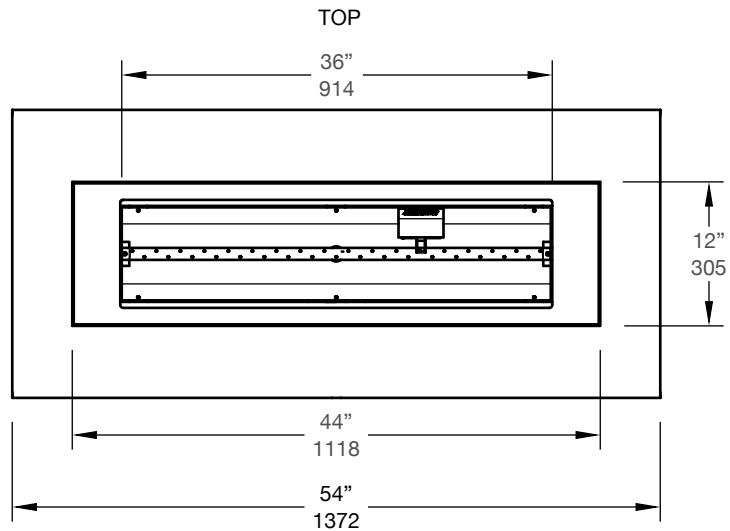


**Technical Data**

<b>Burner Model:</b>	<b>Natural Gas</b> LIN-E-36	<b>Propane</b> LIN-E-36P
<b>Heat Output:</b>	60,000 BTU/h / 25 kW	57,000 BTU/h / 25 kW
<b>Clearances to Combustibles:</b>	Above: 72" Below: 0" Sides: 8"	
<b>Available Finishes:</b>	Corten Steel	
<b>Available Accessories:</b>	Tempered Glass Screen	
<b>Burner Certifications &amp; Standards:</b>	US & Canada - ETL ANSI Z21.97 CSA 2.4.1 UK & EU - CE GAR (EU) 2016/426; Switzerland - SVGW	
<b>Installed Weight:</b>	up to 325 lbs   150 kg	
<b>Crated Weight:</b>	up to 475 lbs / 215 kg	
<b>Crate Size:</b>	60"x30"x21" / 152x76x53 cm	
<b>Vessel Material &amp; Weight:</b>	Corten Steel 215 lbs / 100 kg	

For more information, visit [paloform.com/fire-pits/robata-corten](http://paloform.com/fire-pits/robata-corten)





**Technical Data**

	<b>Natural Gas</b>	<b>Propane</b>
<b>Burner Model:</b>	LIN-M-36	LIN-M-36P
<b>Heat Output:</b>	60,000 BTU/h / 25 kW	57,000 BTU/h / 25 kW
<b>Clearances to Combustibles:</b>	Above: 72" Below: 0" Sides: 8"	
<b>Available Finishes:</b>	Corten Steel	
<b>Available Accessories:</b>	Tempered Glass Screen	
<b>Burner Certifications &amp; Standards:</b>	US & Canada - ETL ANSI Z21.97 CSA 2.4.1 UK & EU - CE GAR (EU) 2016/426; Switzerland - SVGW	
<b>Installed Weight:</b>	up to 325 lbs   150 kg	
<b>Crated Weight:</b>	up to 475 lbs / 215 kg	
<b>Crate Size:</b>	60"x30"x21" / 152x76x53 cm	
<b>Vessel Material &amp; Weight:</b>	Corten Steel 215 lbs / 100 kg	

For more information, visit [paloform.com/fire-pits/robata-corten](http://paloform.com/fire-pits/robata-corten)

