



Meets the essential requirements as described in the European Directive 2009/142/EC



**DANGER - IF YOU SMELL GAS**

1. Shut off gas to the appliance.
2. Extinguish any open flame.
3. If odor continues, keep away from the appliance and immediately call your gas supplier or fire department.



**WARNING**

Do not store or use gasoline or other flammable vapors and liquids in the vicinity of this or any other appliance. An LP-cylinder not connected for use shall not be stored in the vicinity of this or any other appliance.



**DANGER**



**CARBON MONOXIDE HAZARD**

This appliance can produce carbon monoxide which has no odor. Using it in an enclosed space can kill you. Never use this appliance in an enclosed space such as a camper, tent, car or home.



**WARNING:**

Improper installation, adjustment, alteration, service or maintenance can cause injury or property damage. Read the installation, operating and maintenance instructions thoroughly before installing or servicing this equipment.



**WARNING: FOR OUTDOOR USE ONLY!**



**WARNINGS:**

**IMPORTANT:** This appliance should be inspected before use and at least once annually by a qualified service person.

More frequent cleaning may be required as necessary. It is imperative that the control compartment, burners and circulating air passageways of the appliance be kept clean.

**DANGER:** Carbon monoxide poisoning can lead to death!

**CARBON MONOXIDE POISONING:**

Early signs of carbon monoxide poisoning resemble the flu, with symptoms including headache, dizziness, or nausea. If you experience these signs, the Fireplace may not be working properly. Get fresh air at once! Have the Fireplace serviced. Some people are more affected by carbon monoxide than others, including pregnant women, people with heart or lung disease or anemia, those under the influence of alcohol, and those at high altitudes.

**NATURAL GAS AND PROPANE:**

To assist in detecting leaks, an odorant has been added to natural gas and propane. However, this odorant can fade, and gas may be present even though no odor exists. Make certain you read and understand all warnings. Keep this manual for reference. It is your guide to safe and proper operation of this appliance.

**WARNING:** Any modification to this appliance or its controls can be dangerous.

Read instructions before installation and use.

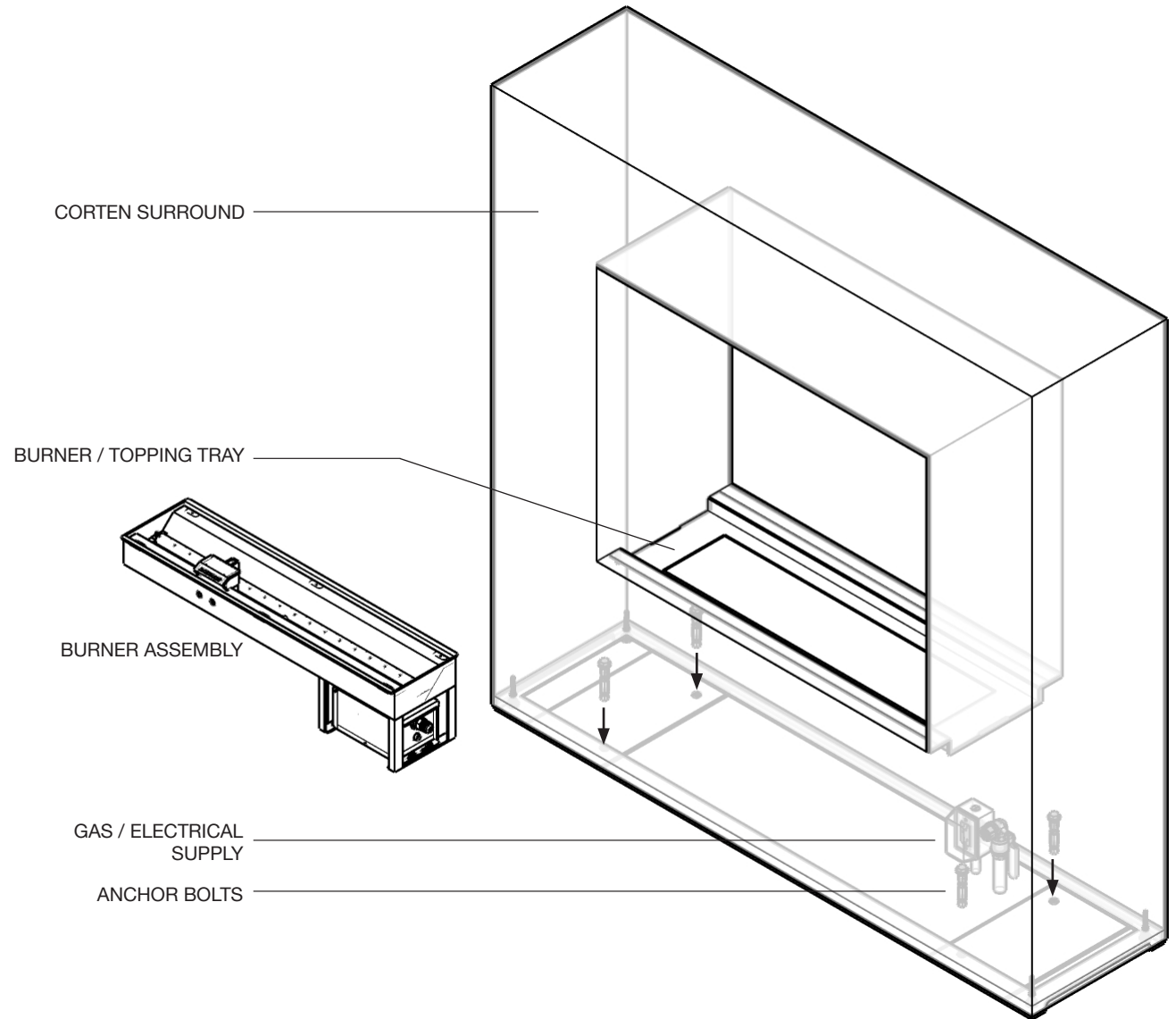
1. This appliance, as supplied, is only for use with the type of gas indicated on the rating plate.
2. This appliance is intended to be connected to a fixed piping system. The installation must conform to local and/or national codes.
3. Never leave the fire unattended.
4. Keep the appliance area clear and free from combustible materials, gasoline and other flammable vapors and liquids
5. Use only the type of gas that is specified by the manufacturer.
6. Do not burn solid fuel in this appliance. Do not use this appliance to cook food or to burn paper or other objects.
7. Children and adults should be alerted to the hazards of high surface temperatures and should stay away to avoid burns or clothing ignition.
8. Clothing or other flammable materials should not be hung from the appliance, or placed on or near the appliance.
9. Young children should be carefully supervised when they are in the area of the appliance.

10. Do not use the appliance if any part has been under water. Immediately call a qualified service technician to inspect the appliance and to replace any part of the control system and any gas control which has been under water.
11. In case of violent wind particular attention must be taken against the tilting of the appliance.
12. Inspect the appliance before each use.
13. Do not move the appliance when in operation. Shut off gas at source before moving the appliance
14. Turn the appliance off and let cool before servicing, installing, repairing or covering. Any guard or other protective device removed for servicing the appliance must be replaced prior to operating the appliance. Only a qualified service person should install, service, or repair the appliance.

**FOR OUTDOOR USE OR IN AMPLY VENTILATED AREAS**

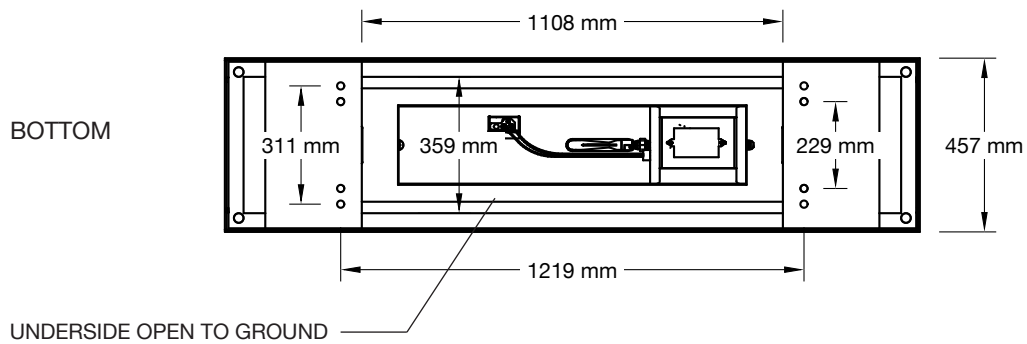
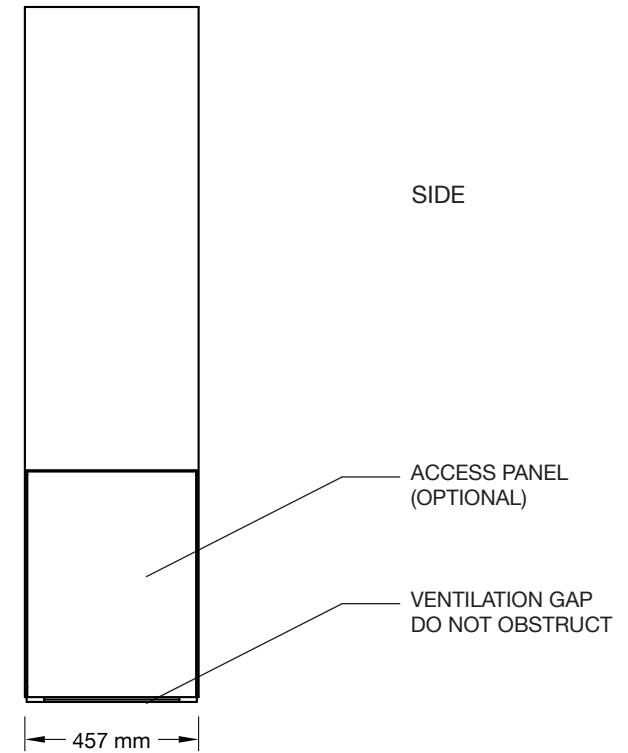
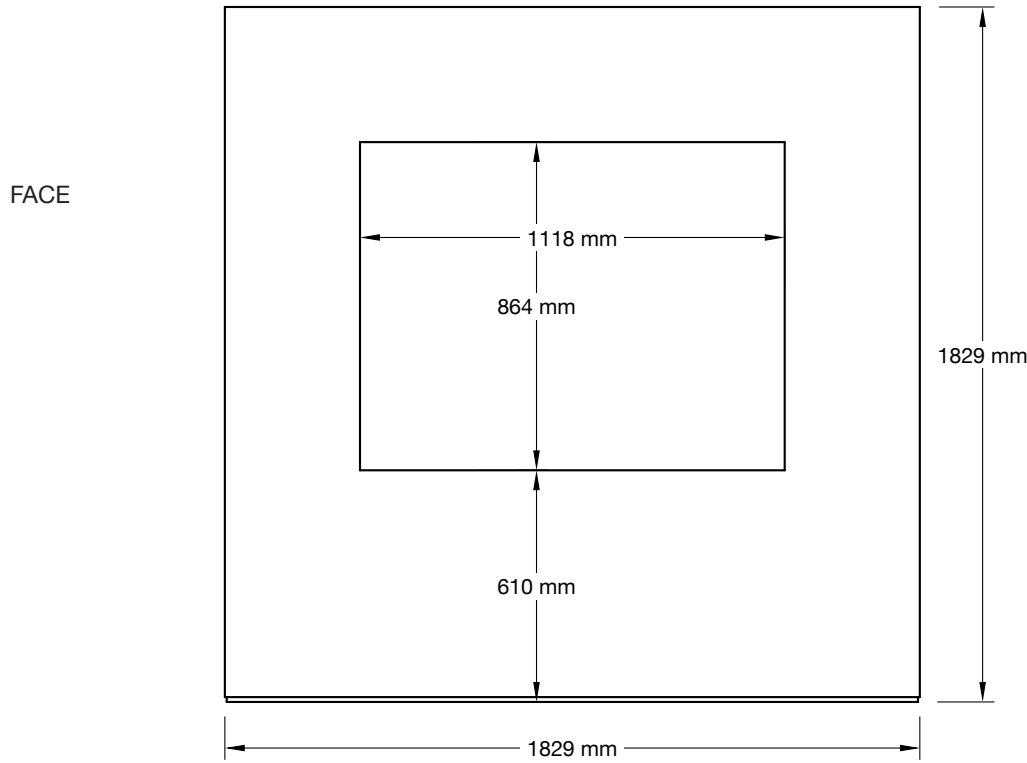
- An amply ventilated area must have a minimum of 25% of the surface area open.
- The surface area is the sum of the walls surface

1. UNPACK: Account for all parts (p. 14-15)
2. FRAGILE: Handle with care
3. ANCHOR: Anchor surround to slab or decking surface (see pp 17-20)
4. AIR VENTS: Do not block ventilation gaps (p. 4)
5. GAS / ELECTRICAL: Supply lines are routed through the base of the unit and must be installed by licensed trades
6. MEDIA TOPPINGS: Review correct placement (p. 7-8)

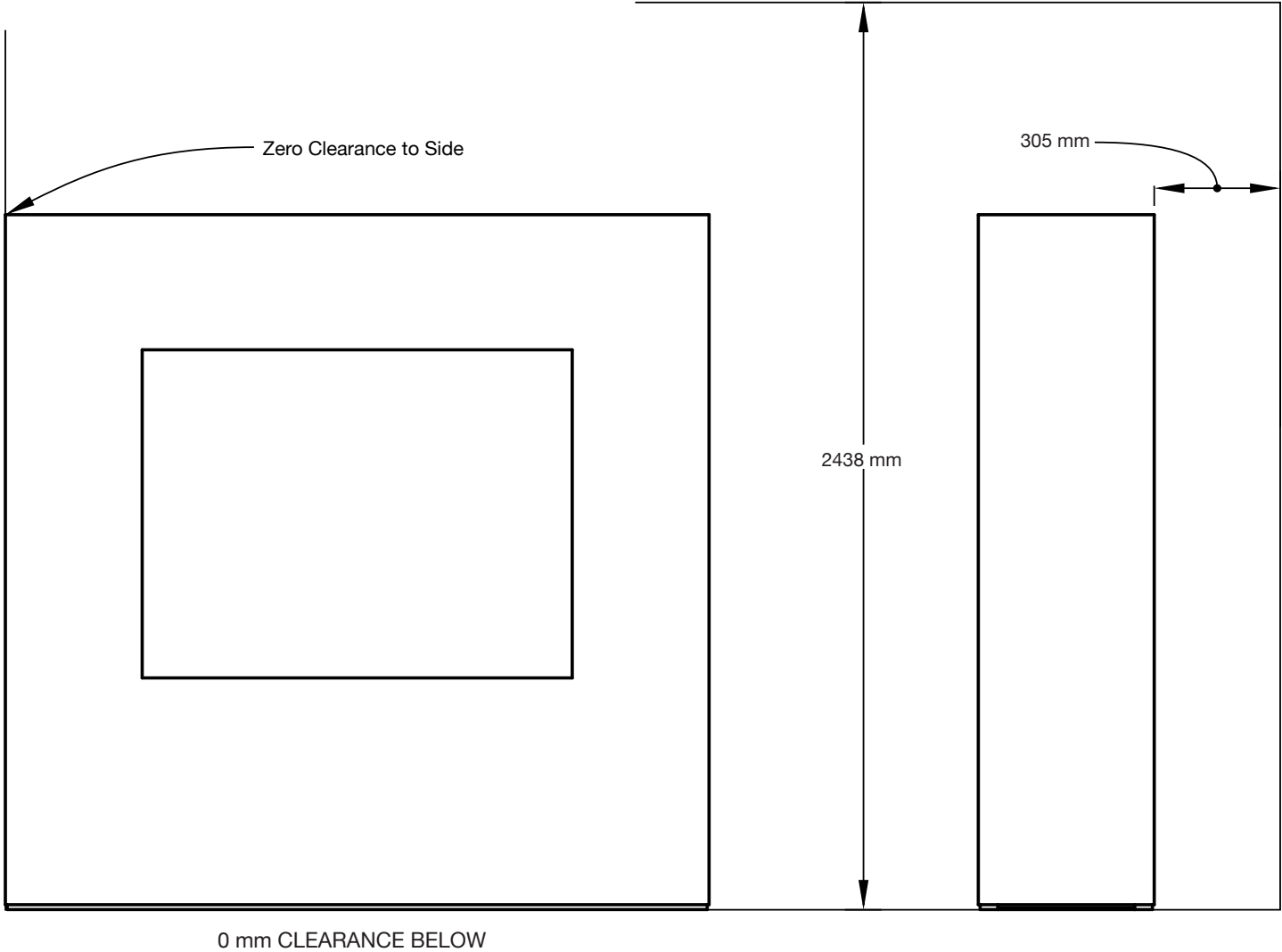


COR-TEN STEEL is designed to oxidize and form a protective layer that resists corrosion. This layer can take several months to stabilize depending on climate and weather conditions. Rust will bleed until it stabilizes.

Do not place Cor-Ten fireplaces on surfaces that will be permanently damaged or stained by rust bleed.



	KODO 72 NATURAL GAS	KODO 72 PROPANE
Burner Model #	LIN-E-36	LIN-E-36P
Heat Input	G20, 20 mbar 20 kW	G31, 37 mbar 18 kW, 1210 gr/h
Burner Pressure	8.7 mbar	25 mbar
Orifice Size	26	43
Burner Ports	35	35
Port Size	1/8" (~3 mm)	1/8" (~3 mm)
Electrical	230V Outdoor Receptacle - Dedicated Circuit with Wall Switch. Burner connects via an AC adapter. Must be installed and grounded in accordance with local codes.	



MINIMUM CLEARANCES TO COMBUSTIBLES

**WARNING:**

Failure to position parts in accordance with these diagrams and instructions and/or failure to use parts specifically approved for use with this appliance may result in property damage or personal injury.

Do not remove the data plates attached to the Outdoor Fireplace Burner. These plates contain important information.

**NOTICE:**

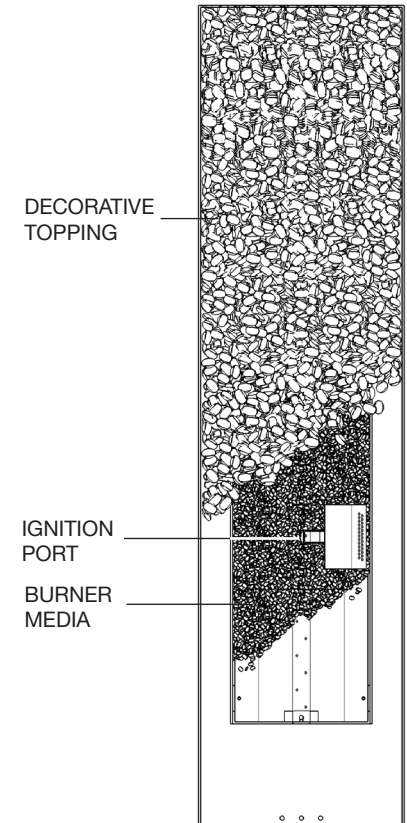
Installation and repair should be done by a qualified service person. The appliance should be inspected before use and at least once annually by a qualified service person. More frequent cleaning may be required as necessary. It is imperative that control compartment, burner ports and circulating air passageways of the appliance be kept clean.

**CAUTION:**

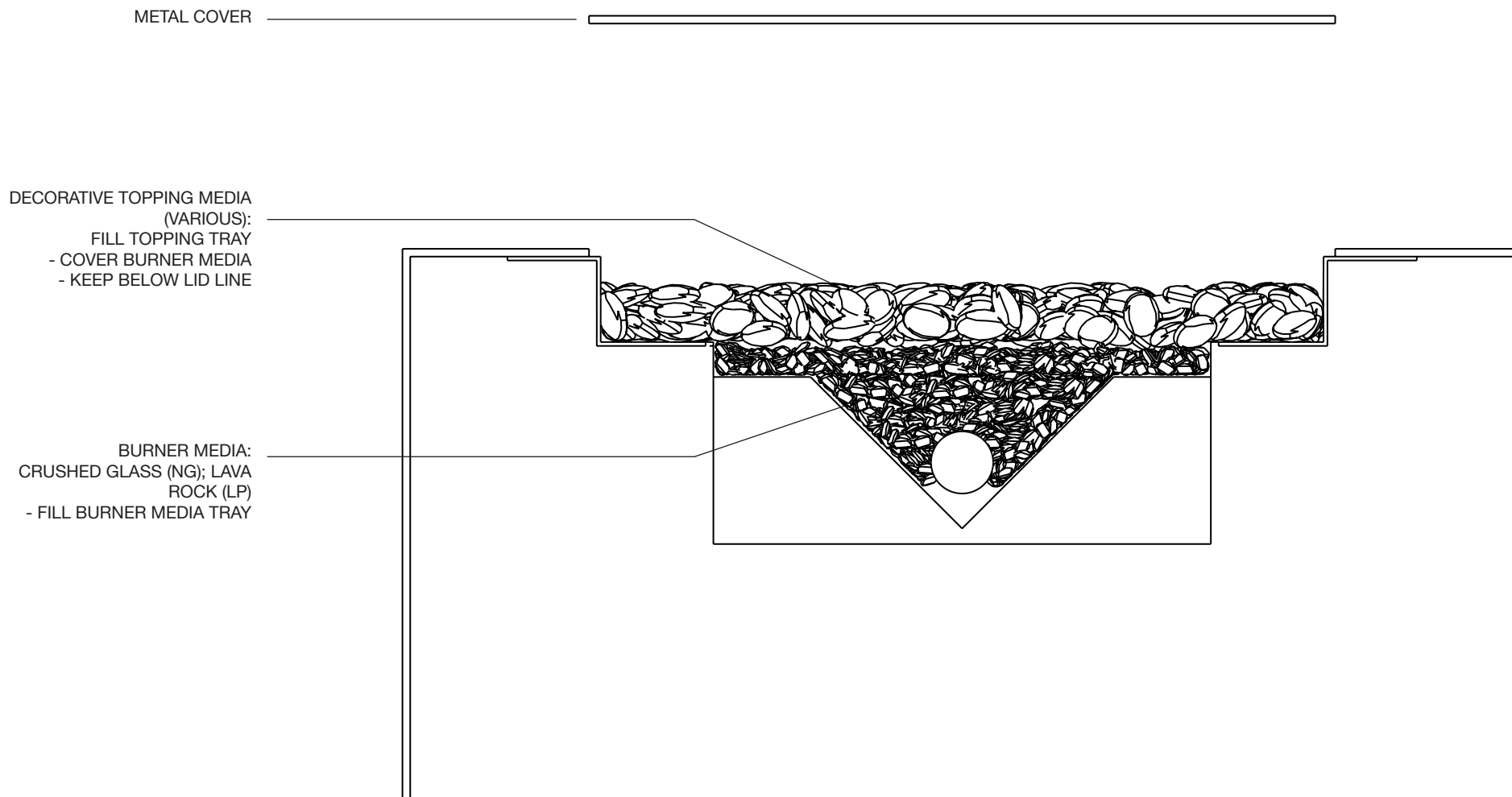
New Lava Rock may pop or crackle when first heated. This should subside after 30 minutes to one hour or more of operation. Maintain safe distance during this time.

**TO ASSEMBLE THE FIREPLACE**

1. Ensure the fireplace surround is anchored per specifications.
  2. Connect the Burner Assembly to the gas supply using the supplied flex connector, following the instructions on p 9.
  3. Carefully leak test all connections following the procedure on p 9. Check the air shutter on venturi. For NG it is sealed. For LP it is fully open (see part 2a, pg 13)
  4. Fill the burner trough evenly with burner media (crushed tempered glass for natural gas; volcanic rock for propane). Do not obstruct the pilot ignition port with burner media! Do not use media not supplied by Paloform!
  5. Place the burner assembly on a stable surface. Ensure burner is level.
  6. Follow the Initial Lighting Instructions on page 10. Make sure that the flame is even along the burner length and appliance is fully operational and safe for use. Turn OFF the appliance and let it cool before proceeding to the next step.
  7. Carefully lift the burner and place it in the fireplace body. (See p 3)
  8. Place and evenly distribute decorative topping media (lava rock or tempered glass pebble) on top of burner media. (See page 7). Decorative media should be brought level with the top of the pilot cover. An uneven or excessively thick layer of topping can result in an uneven flame.
- Do not obstruct PILOT IGNITION PORT!
9. Correct flame appearance:



CAUTION: Do not use any media over the burner that have not been supplied by Paloform. Landscape stone or other natural or manufactured materials may explode when heated.



**WARNING:**

A qualified service person must connect the appliance to the gas supply. Follow all local codes.

**CAUTION:**

Use only new black iron or steel pipe. Internally tinned copper tubing may be used in certain areas. Use pipe of 1/2" diameter or greater to allow proper gas volume to Outdoor Fireplace Burner. If pipe is too small, undue loss of pressure will occur.

**INSTALLATION ITEMS NEEDED:**

Before installing the Outdoor Fireplace, make sure you have all items listed below:

- piping (check local codes)
- sealant
- manual shutoff valve
- adjustable (crescent) wrench or pliers
- sediment trap
- tee joints
- pipe wrench

**INSTALLATION REQUIREMENTS**

This appliance must be installed and serviced by trained gas installation and service technician only. All pipework must be supported and installed in accordance with local and/or national regulations.

- The gas supply to the appliance must terminate with an isolation cock and a flexible connector. This will allow the appliance to be disconnected for maintenance or repair. The appliance is supplied with a 1/2" BSP male pipe fitting.
- Check that the main gas supply line is of proper diameter to supply the required fuel pressures. Pipes of a smaller size than the heater inlet gas connection must not be used.
- If utilizing used pipe, verify that its condition is clean and comparable to a new pipe. Test all gas supply lines in accordance with local codes.
- Test and confirm that inlet pressures are correct. Refer to the heater data plate and packaging to verify fuel type.
- Install a sediment trap/drip leg for condensation which may occur at any point of the gas supply line. This will decrease the possibility of loose scale or dirt in the supply line entering the appliance's control system and causing a malfunction.

**CHECKING GAS CONNECTION**

**WARNING:** Test all gas piping and connections for leaks after installing or servicing. Correct all leaks immediately.

**WARNING:** Never use an open flame to check for a leak. Apply a mixture of liquid soap and water to all joints. Bubbles forming on joints while the gas is running indicate a leak. Correct all leaks at immediately.

**Test Pressures in Excess Of 37 mbar**

This appliance and its individual shutoff valve must be disconnected from the gas supply piping system during any pressure testing of that system at test pressures in excess of 37 mbar.

**Test Pressures Equal To or Less Than 37 mBar**

This appliance must be isolated from the gas supply piping system by closing its individual manual shutoff valve during any pressure testing of the gas supply piping system at test pressures equal to or less than 37 mbar.





## WARNINGS:

Failure to follow these instructions exactly may result in fire or explosion causing property damage, personal injury or loss of life.

---

Before operating the appliance, check all around the appliance area and on the surrounding floor for the smell of gas - some gas is heavier than air and may settle on the floor in the event of a leak. IF YOU SMELL GAS, follow the safety instructions on page 1 of this manual.

---

This appliance is equipped with an ignition device that automatically lights the pilot. Do not try to light the pilot manually.

---

The main gas valve in this appliance is not serviceable and does not have any control knobs or switches to operate. Do not remove the heat shields covering the valve and electronic devices. Do not try to repair or modify the valve, as doing so may result in a fire or explosion. Call a qualified service technician if you have any safety concerns.

---

Do not use this appliance if any part of it has been under water. Immediately call a qualified service technician to inspect the appliance and to replace any part of the control system and any gas control that has been under water.

---

Improper installation, adjustment, alteration, service or maintenance can result in injury or property damage. For assistance or additional information, consult a qualified installer, service agency or the gas supplier.

---

Do not store or use gasoline or other flammable vapors or liquids in the vicinity of this appliance.

## INITIAL LIGHTING INSTRUCTIONS

Before placing burner assembly into a housing:

1. Purge air from the supply line.
2. Test for leaks in each of the following locations:
  - The gas supply line connection to the main valve;
  - The Burner connections and pilot;
  - All joints on the valve and control body;
  - All field made joints and gas shutoff valves;
  - All factory made joints and connections.
3. You may check for gas leaks using one of the following methods only:
  - Soap and water solution. **WARNING: If using a soap and water solution to test for leaks, DO NOT spray the solution onto electronic parts;**
  - An approved leak testing spray;
  - An electronic sniffer. **NOTE:** Remove any excess pipe compound from connections if using this method, as the compound can set off electronic sniffers.

**DANGER: NEVER USE AN OPEN FLAME TO CHECK FOR GAS LEAKS.**

## WARNING:

This appliance is designed to be connected to a power source that is controllable by a switch.

Do not connect 24 VAC AC adapter to a live power source.

## OPERATING INSTRUCTIONS

1. STOP! Read the safety information on pages 1, 2 and 10 of this manual.
2. Turn off all electric power to the appliance.
3. Do not attempt to light the pilot manually.
4. Turn the manual gas control valve to the OFF position.
5. Wait five (5) minutes to clear out any residual gas, then check for the smell of gas at and around the appliance, including near the floor. If you smell gas, STOP! Follow the instructions on page 1 of this manual. If you do not smell gas, continue to the next step.
6. Turn the manual gas control valve to the ON position.
7. Plug the supplied 24 VAC AC adapter into a 230V power outlet.
8. Connect the AC adapter to the AC input plug at the unit.
9. Place Burner Assembly in Housing
10. To ignite burner, turn on electric power to the appliance.
11. To turn off appliance, turn off electric power to the appliance.

## TURNING OFF THE GAS TO THE APPLIANCE

1. Turn off all electric power supplied to the appliance if service is to be performed. Unplug the 24 VAC AC adapter from the power outlet.
  2. If necessary, remove the burner from the housing to access the manual gas valve.
  3. Turn the main manual shutoff valve to the full OFF position.
-

## KEEP YOUR FIREPLACE COVERED

Covering your fireplace burner when not in use will prolong the life of all its components.

**WARNING:** Turn off gas before servicing fireplace.

We recommend that a qualified service technician perform the following check-ups at the beginning of each fireplace season.

If any irregularities are apparent with operation. Please refer to Troubleshooting guide, pages 12-13.

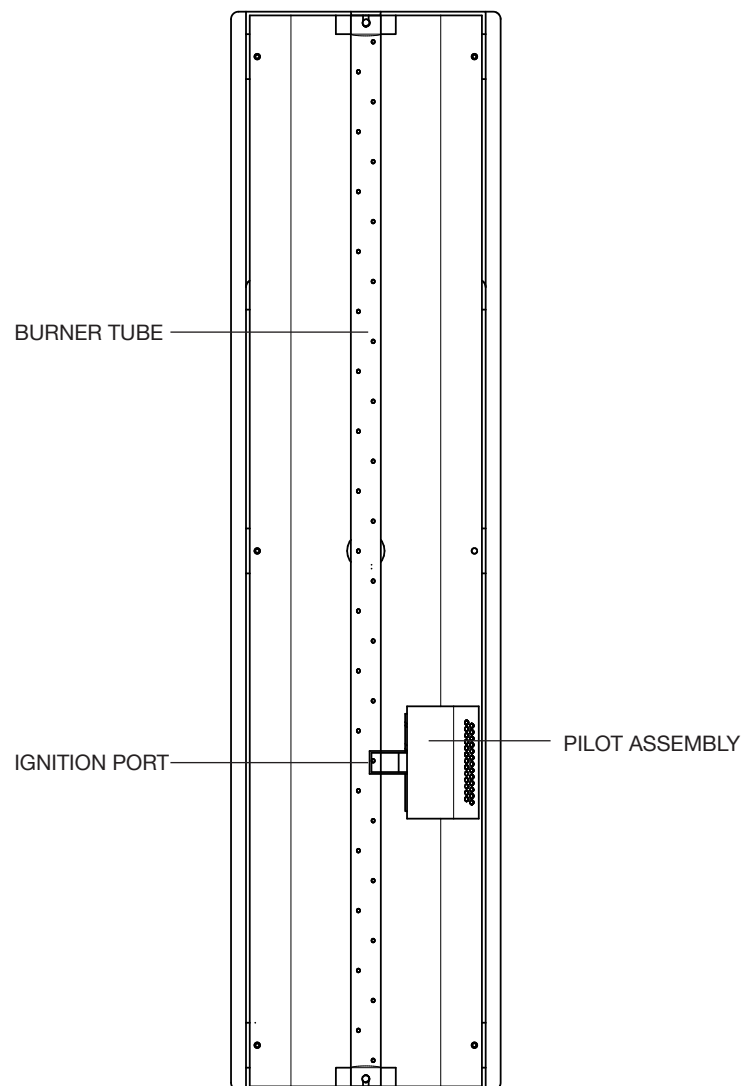
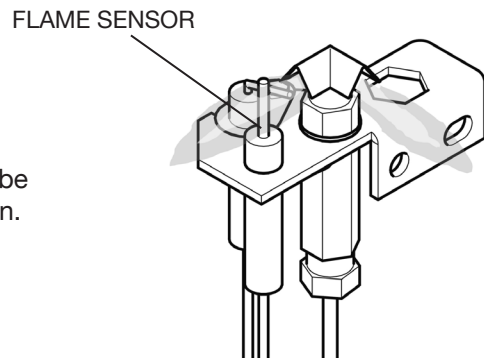
## BURNER ELEMENT AND PILOT

Keep the burner and pilot area clean by vacuuming or brushing at least twice a year. Make sure the burner porting and burner air openings are free of obstructions at all times. Remove pilot cover to inspect pilot.

Remove topping from top of burner ring and inspect area around the burner. Remove any lint or foreign material with a brush or vacuum cleaner.

## PILOT FLAME

The flames from the pilot should be visually checked as soon as the unit is installed, and periodically during normal operation. The pilot flame must always be present when the fireplace is in operation. The pilot flame has two distinct flames: one engulfing the flame sensor and the other reaching to the main burner.



**WARNING:**

Turn off appliance and let cool before servicing. Only a qualified service person should service and repair this appliance.

**IMPORTANT:** Operating unit where impurities in air exist may create odors. Cleaning supplies, paint, paint remover, cigarette smoke, cements and glues, new carpet or textiles, etc., create fumes. These fumes may mix with combustion air and create odors. These odors will disappear over time.

OBSERVED PROBLEM	POSSIBLE CAUSE	REMEDY
Burner shuts off/relights intermittently.	<ol style="list-style-type: none"> <li>1. Wind or gusts in excess of 16 km/h (10 mph).</li> <li>2. Air present in gas line</li> <li>3. Not enough air to pilot</li> </ol>	<ol style="list-style-type: none"> <li>1. Protect pilot from wind with decorative topping - sides of pilot housing may be covered. <b>DO NOT BLOCK IGNITION PORT.</b> In the case of consistently windy conditions, a protective glass barrier may be necessary.</li> <li>2. Ensure gas line is thoroughly bled</li> <li>3. Ensure ventilation holes/gaps are not obstructed</li> </ol>
Unit is smoking / sooting excessively. (Note: It is natural and unavoidable for appliance sets to produce moderate levels of carbon (soot) where flames contact the media.)	<ol style="list-style-type: none"> <li>1. Poor fuel quality</li> <li>2. Excessive flame impingement or blockage</li> <li>3. Improper fuel/air mixture</li> </ol>	<ol style="list-style-type: none"> <li>1. Contact local natural gas company</li> <li>2. Separate the stones to allow more flame passage</li> <li>3. Remove any foreign items from the flame pattern and/or check for proper orifice sizing</li> </ol>
Burner is excessively noisy (Note: The movement and combustion of gas will create low, unavoidable levels of noise.)	<ol style="list-style-type: none"> <li>1. Passage of air/gas across irregular surfaces</li> <li>2. Excessive gas pressure on natural gas units</li> </ol>	<ol style="list-style-type: none"> <li>1. Relieve any tight bends or kinks in gas supply line</li> <li>2. Check/reset gas regulator pressure</li> </ol>
Gas odor even when power is off	<ol style="list-style-type: none"> <li>1. Gas leak. See Warning statement above.</li> <li>2. Main gas valve defective.</li> </ol>	<ol style="list-style-type: none"> <li>1. Locate and correct all leaks (see <i>Checking Gas Connections, pg 8</i>)</li> <li>2. Replace gas valve</li> </ol>
Unit produces unwanted odors	<ol style="list-style-type: none"> <li>1. Gas leak. See Warning statement below.</li> </ol>	<ol style="list-style-type: none"> <li>1. Locate and correct all leaks (see <i>Checking Gas Connections, pg 8</i>)</li> </ol>



**IF YOU SMELL GAS:**

Shut off gas supply.  
 Do not try to light any appliance.  
 Do not touch any electrical switch; do not use any phone in the vicinity of the appliance.

Immediately call your gas supplier from a safe distance. Follow your gas supplier's instructions.

**WARNING:**

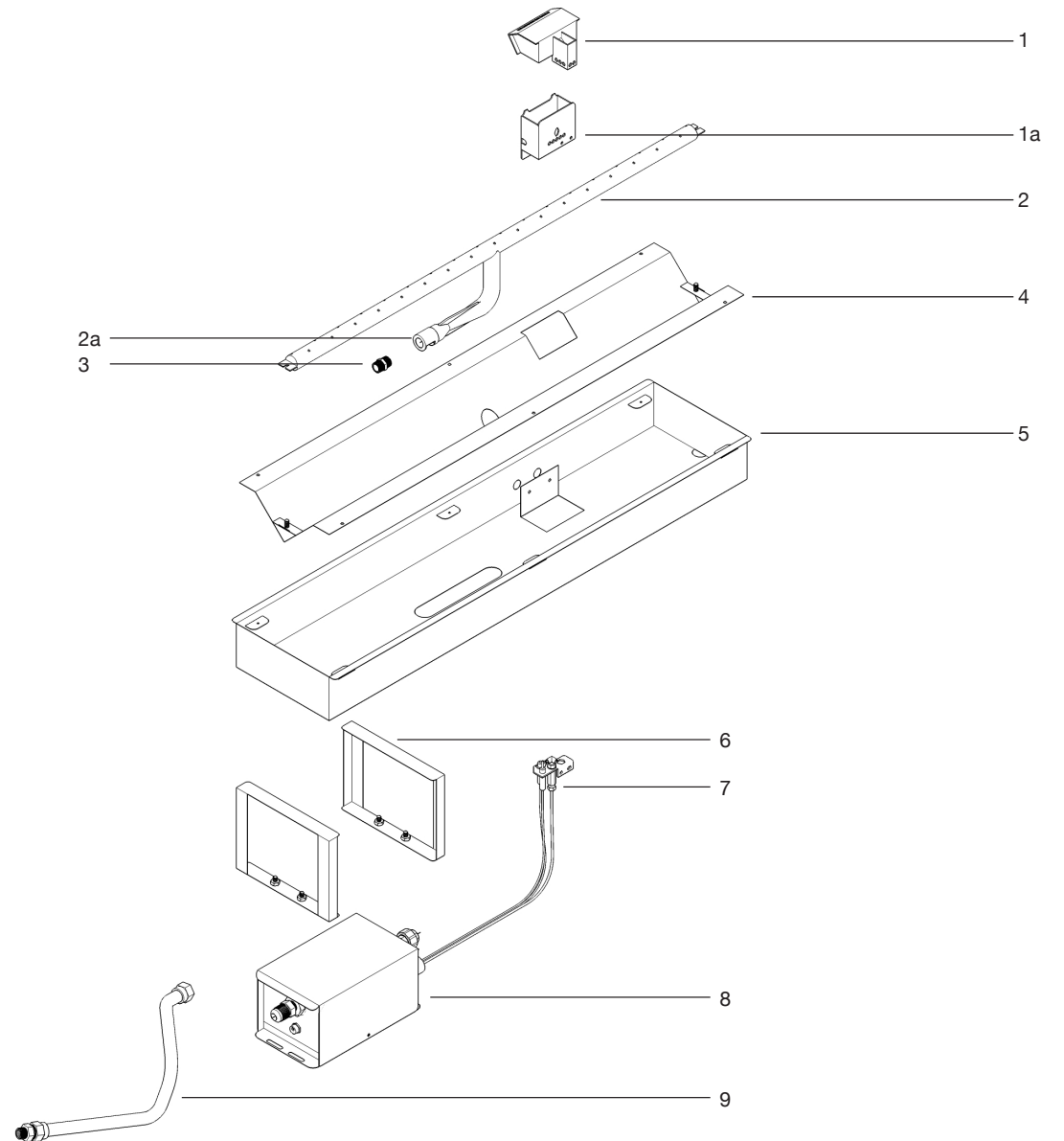
Turn off appliance and let cool before servicing. Only a qualified service person should service and repair this appliance.

OBSERVED PROBLEM	POSSIBLE CAUSE	REMEDY
When power is turned on, nothing happens	1. No power to unit	1. Check connections between controls, power adapter and power source 2. Check power at source 3. Verify that power adapter is functioning correctly 4. If you are using a third-party remote control unit, verify that this unit is functioning correctly
When power is turned on, there is a spark at pilot but no ignition	1. Gas supply turned off or manual shutoff valve closed 2. Air in gas lines when installed 3. Pilot is clogged 4. Pilot valve lead is loose/disconnected	1. Turn off gas supply or open manual shutoff valve 2. Purge air from the supply line 3. Clean pilot (see <i>Cleaning and Maintenance, page 11</i> ) or replace pilot assembly 4. Check/reconnect lead
Burner does not light after pilot is lit	1. Burner orifice is clogged 2. Inlet gas pressure is too low 3. Flame sensor or Main Valve lead loose/disconnected 4. Ignition Control Board failure	1. Clean burner orifice 2. Contact local gas or propane supplier 3. Reconnect / replace lead 4. Replace Board
Delayed burner ignition	1. Lighting port is blocked	1. Remove burner media/debris from Lighting Port
Burner flame is too low or too high	1. Incorrect gas supply or pressure 2. Blocked burner orifice or burner ports 3. Improper burner orifice size	1. Check for proper gas supply pressure 2. Free burner orifice and burner ports of any burrs, paint, or other blockage 3. Verify proper burner orifice sizing (see <i>page 4</i> )

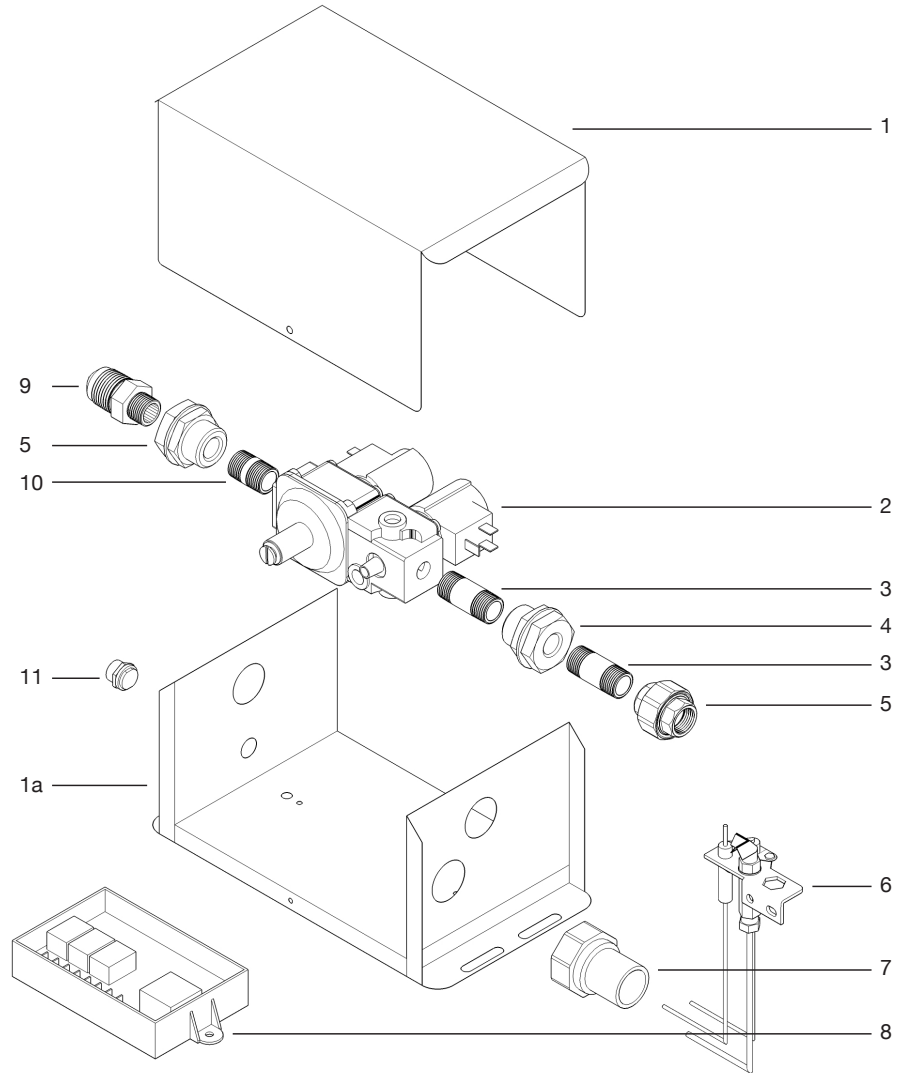
		Natural Gas	Propane
1	Pilot Cover	LIN-EPC	same
1a	Pilot Shroud	LIN-EPC	same
2	LIN-36 Burner Tube	LIN-36-ASSY	same
2a	Air Shutter	-	-
3	Orifice	FIT-ORI-26	FIT-ORI-43
4	Media Tray	LIN-36-ASSY-A	same
5	Burner Tray	LIN-36-ASSY-B	same
6	Control Box Brackets	LIN-36-ASSY-C	same
7	Pilot Assembly	PIL-E-410	PIL-E-410LP
8	Control Box	see p. 15	same
9	Flex Connector	CON-SS-5MM-24	same
10	Burner Media (not shown)	Crushed Glass 6 kg	Lava Pebbles 5.5 L
11	Topping Media (not shown)	Various	Various
12	Surround (see p. 3)	KOD72-10	same
13	Metal Cover	see p. 3	same
14	Power Adapter 120V-NA (not shown)	E-POW-24VAC	same
15	Fabric Cover (optional)	GOV-KOD72-LC	same

WARNING: Failure to position parts in accordance with diagrams or failure to use parts specifically approved for this appliance may result in property damage or personal injury.

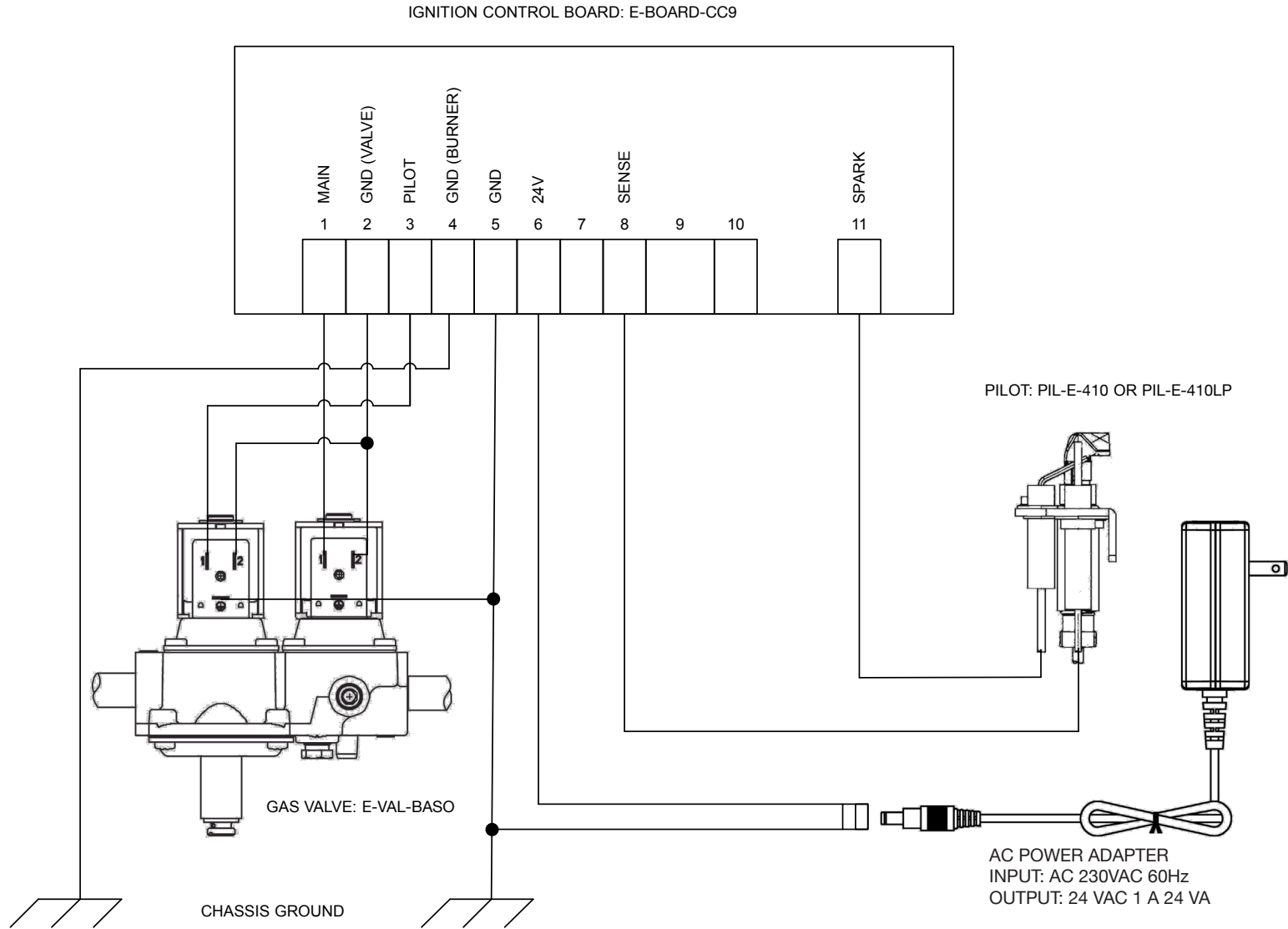
REPLACEMENT PARTS ARE AVAILABLE FROM PALOFORM



		Natural Gas	Propane
1	CIR Control Box Cover	CIR-E-BOX	same
1a	CIR Control Box Housing	CIR-E-BOX	same
2	Dual Solenoid Valve	E-VAL-BASO	w/ LP reg. spring
3	3/8"x1-1/2" - Nipple	-	-
4	3/8" Bulkhead Union	-	-
5	3/8" Union	-	-
6	Pilot Assembly	PIL-E-410	PIL-E-410LP
7	Shrink-fit Cord Grip	-	-
8	Ignition Control Board	E-BOARD-CC9	same
9	3/8" Flare Adapter	-	-
10	3/8" Close Nipple	-	-
11	Barrel Connector	part of wiring harness	-
12	Wiring Harness (not shown)	E-WIR-KIT	same



Wiring Diagram





ATTENTION: Drawings are guidelines only. Customer is responsible for ensuring that installation complies with local codes/regulations.



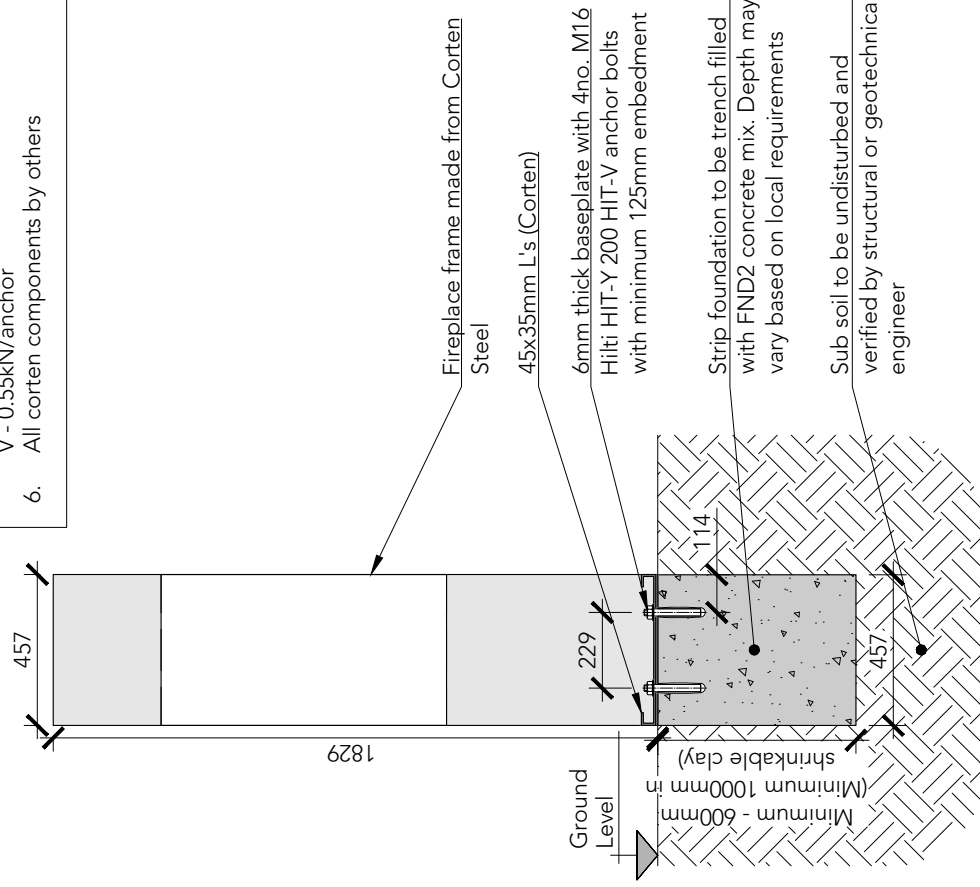
Blue Structural Engineering LLP  
 86-90 Paul Street, London, EC2A 4NE  
 T +44 (0) 207 247 3811 E: info@blueengineering.co.uk  
 www.blueengineering.co.uk

**DO NOT SCALE FROM THIS DRAWING**  
 All dimensions to be verified on site before commencing work. All error and omissions are to be reported to the Engineer. This drawing is to be read in conjunction with all relevant Design Team drawings and specifications

Drawing History

Rev	Date	Description	Drawn	Checked
1	18.10.19	1 <sup>st</sup> Issue	WW	CG
2	04.12.19	2 <sup>nd</sup> Issue	HB	CG

1. Location to suit manufacturer's guidance and fire regulations
2. Soil bearing capacity to be minimum 50kN/m<sup>2</sup> founded on natural undisturbed ground
3. Design wind pressure maximum 0.50kN/m<sup>2</sup>
4. Fireplace weight is 300kg (2.94kN)
5. Force on anchor bolts  
 T - 2.87kN/anchor  
 V - 0.55kN/anchor
6. All corten components by others



United Kingdom

**Title**  
 Concrete Ground Mount

**Project**  
 Paloform Kodo Freestanding Fireplace

**Client**  
 Paloform

**Job No.**  
 5497

**Drawing No.**  
 100

**Revision**  
 2

**Scale**  
 1:20 at A4

ATTENTION: Drawings are guidelines only. Customer is responsible for ensuring that installation complies with local codes/regulations.



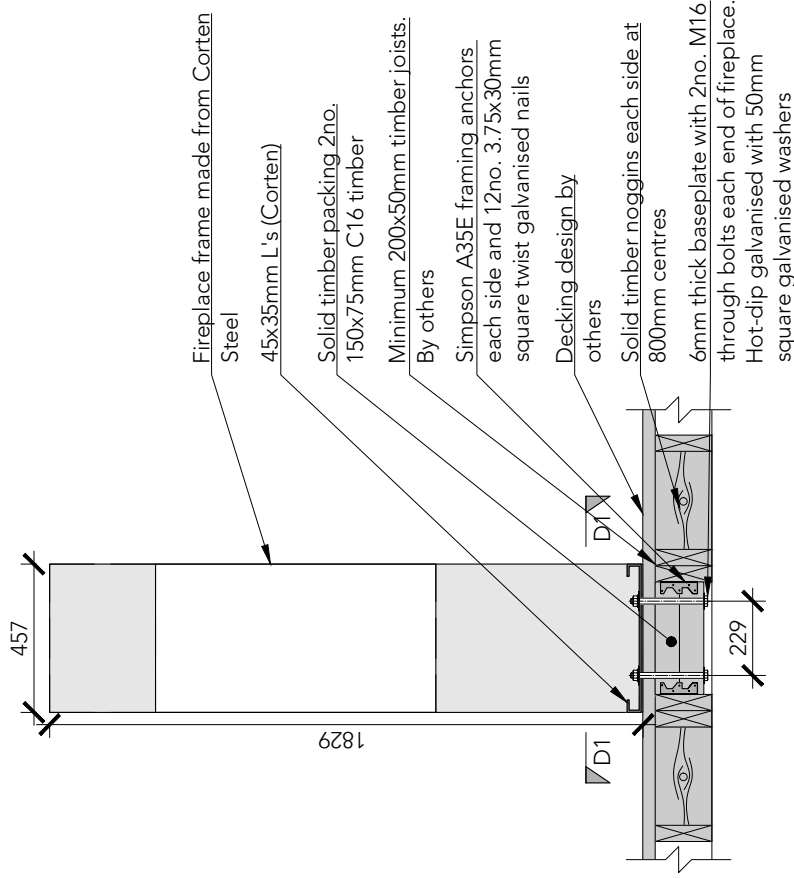
Blue Structural Engineering LLP  
 88-90 Paul Street, London, EC2A 4NE  
 T +44 (0) 207 247 3811 E info@blueengineering.co.uk  
 www.blueengineering.co.uk

**DO NOT SCALE FROM THIS DRAWING**  
 All dimensions to be verified on site before commencing work. All error and omissions are to be reported to the Engineer. This drawing is to be read in conjunction with all relevant Design Team drawings and specifications

**Drawing History**

Rev	Date	Description	Drawn	Checked
1	18.10.19	1 <sup>st</sup> Issue	WW	CG
2	04.12.19	2 <sup>nd</sup> Issue	HB	CG

1. Location to suit manufacturer's guidance and fire regulations
2. Design wind pressure maximum 0.50kN/m<sup>2</sup>
3. Fireplace weight is 300kg (2.94kN)
4. Force on anchor bolts  
 T - 2.87kN/anchor  
 V - 0.55kN/anchor
5. All corten components by others



United Kingdom

**Title**  
 Wood Deck Mount  
 Joists Parallel

**Project**  
 Paloform Kodo  
 Freestanding  
 Fireplace

**Client**  
 Paloform

**Job No.**  
 5497

**Drawing No.**  
 101

**Revision**  
 2

**Scale**  
 1:20 at A4

ATTENTION: Drawings are guidelines only. Customer is responsible for ensuring that installation complies with local codes/regulations.



Blue Structural Engineering LLP  
 86-90 Paul Street, London, EC2A 4NE  
 T +44 (0) 207 247 3811 E info@blueengineering.co.uk  
 www.blueengineering.co.uk

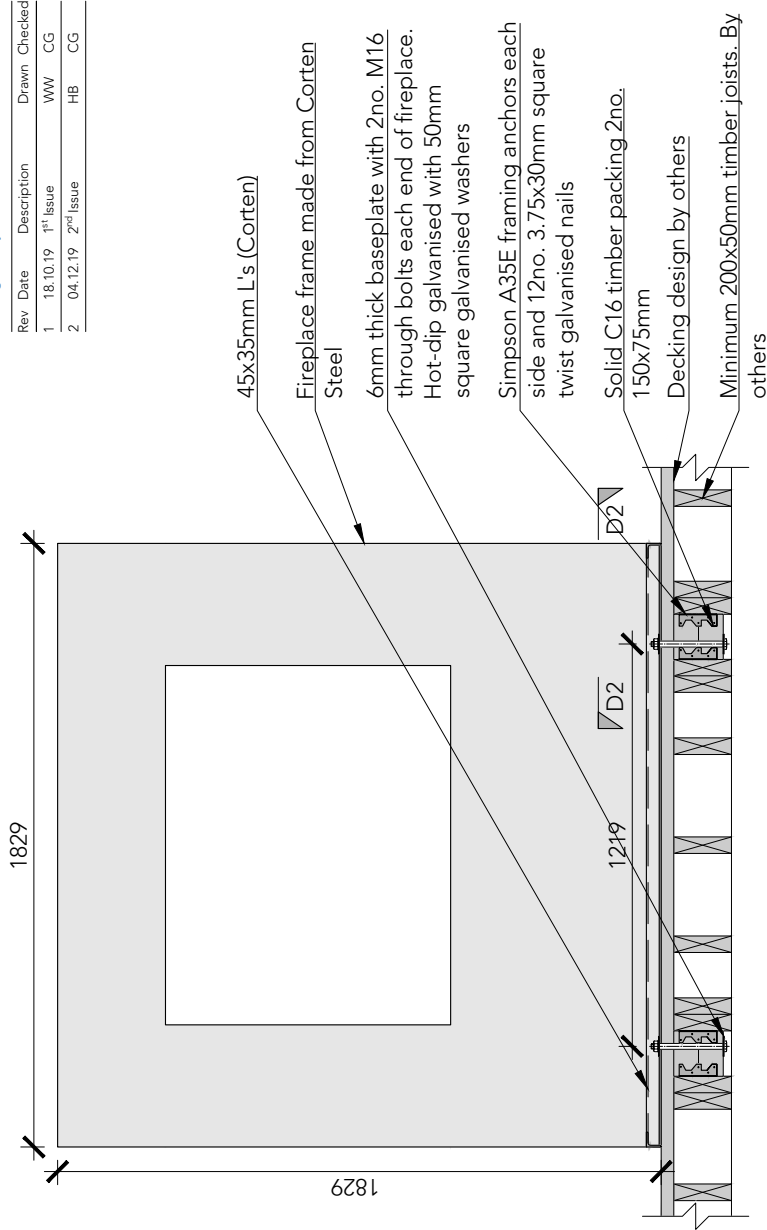
**DO NOT SCALE FROM THIS DRAWING**

All dimensions to be verified on site before commencing work. All error and omissions are to be reported to the Engineer. This drawing is to be read in conjunction with all relevant Design Team drawings and specifications

Drawing History

Rev	Date	Description	Drawn	Checked
1	18.10.19	1 <sup>st</sup> Issue	WW	CG
2	04.12.19	2 <sup>nd</sup> Issue	HB	CG

1. Location to suit manufacturer's guidance and fire regulations
2. Design wind pressure maximum 0.50kN/m<sup>2</sup>
3. Fireplace weight is 300kg (2.94kN)
4. Force on anchor bolts  
T - 2.87kN/anchor  
V - 0.55kN/anchor
5. All corten components by others



**Title**  
Wood Deck Mount Joists Perpendicular

**Project**  
Paloform Kodo Freestanding Fireplace

**Client**  
Paloform

**Job No.**  
5497

**Drawing No.**  
102

**Revision**  
2

**Scale**  
1:20 at A4

United Kingdom

ATTENTION: Drawings are guidelines only. Customer is responsible for ensuring that installation complies with local codes/regulations.

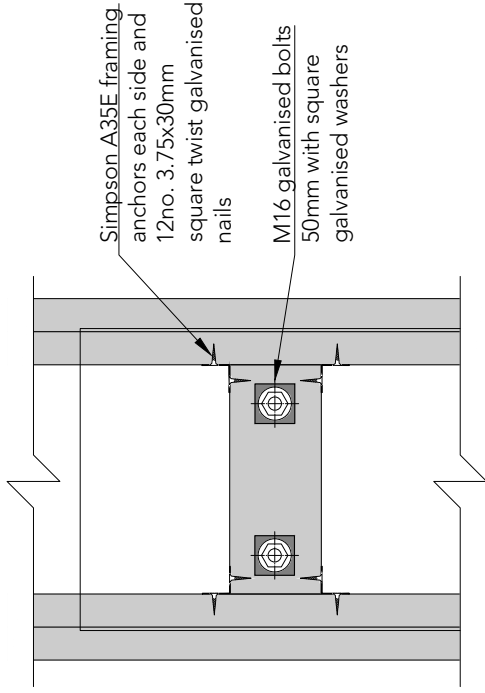


Blue Structural Engineering LLP  
 86-90 Paul Street, London, EC2A 4NE  
 T +44 (0) 207 247 3811 E info@blueengineering.co.uk  
 www.blueengineering.co.uk

**DO NOT SCALE FROM THIS DRAWING**  
 All dimensions to be verified on site before commencing work. All error and omissions are to be reported to the Engineer. This drawing is to be read in conjunction with all relevant Design Team drawings and specifications

Drawing History

Rev	Date	Description	Drawn	Checked
1	18.10.19	1 <sup>st</sup> Issue	WW	CG
2	04.12.19	2 <sup>nd</sup> Issue	HB	CG

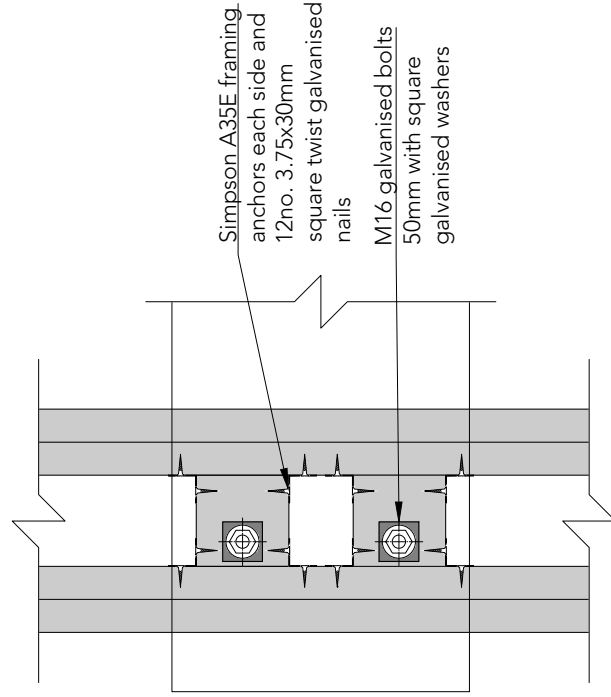


Detail D1 (Refer to Sheet 101)

Scale 1:10

United Kingdom

Decking not shown for clarity



Detail D2 (Refer to Sheet 102)

Scale 1:10

United Kingdom

Title  
 Wood deck joists Parallel and Perpendicular

Project  
 Paloform Kodo Freestanding Fireplace

Client  
 Paloform

Job No.  
 5497

Drawing No.  
 103

Revision  
 2

Scale  
 1:10 at A4

## RETAIN FOR WARRANTY

MODEL: (circle)	Kodo 72-E
	Natural Gas
	Propane
SERIAL NO: _____	
DATE PURCHASED: _____	

Paloform's priority is to meet or exceed your expectations with our products and service—we take pride in our products and unequivocally stand behind them. If your product has issues, we will work with you to make things right.

This said, fires pit's are mechanical appliances that are installed in uncontrolled and unpredictable environments. For this reason it is critical that your unit be inspected by a qualified service technician regularly, dependent on use and site conditions, but at minimum once per year. This will ensure that it receives the type of general cleaning and maintenance that will maximize its performance and lifespan. Furthermore, there are various "wear" components which have a limited lifespan due to the fact that their function is to sustain extreme conditions. Over the functional life of your fire pit, you can expect that parts such as pilots, control devices and valves, may need to be replaced periodically. Materials such as cast concrete and Corten Steel are expected to weather naturally over their lifetime and changes in appearance are normal and do not constitute failure in the materials.

**WARRANTY - This product is warranted to the original owner, subject to proof of purchase:**

Paloform warrants the components and materials in your appliance to be free from manufacturing and material defects for a period of one year from date of delivery. During this time, if any of the components in the appliance are found to be defective in materials or workmanship, Paloform will, at its option, replace or repair the defective components at no charge to the original owner. Paloform will also pay for reasonable labor cost incurred in replacing or repairing such components. Any products presented for warranty repair must be accompanied by a dated proof of purchase.

This Warranty will be void if:

- the appliance is not installed by a qualified installer in accordance with installation instructions.
- the appliance is not operated and maintained according to the operating instructions supplied with the appliance, including regular inspections by a qualified technician
- the appliance is damaged by accident, neglect, misuse, abuse, alterations, negligence of others, including the installation thereof by unqualified installers, incidental or consequential damage
- the appliance is partially or totally submerged under water for any length of time

This Warranty does not cover normal wear and tear, including but not limited to extraordinary environmental factors such as salt-saturated environments or extreme weather events.

All service work must be performed by an qualified service technician.

Paloform reserves the right to investigate any and all the claims against this Warranty and decide upon method of settlement. For information about this warranty contact:

Paloform Distribution (UK) Limited | +44 (20) 37957751 | info@paloform.co.uk | paloform.co.uk  
 Unit 6B Metnor business Park  
 Hadrian Road  
 Wallsend NE286HH  
 United Kingdom