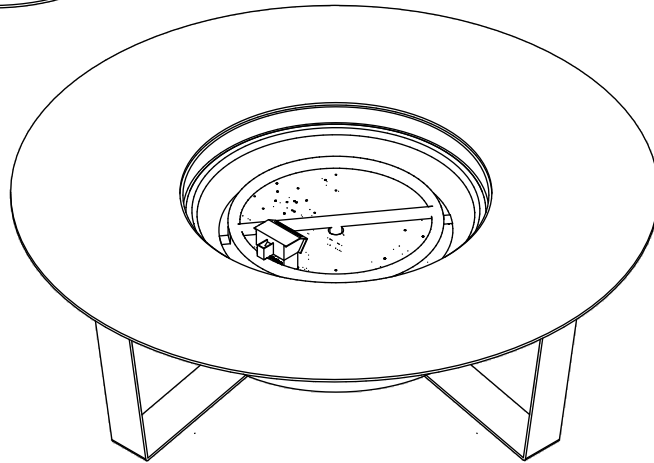
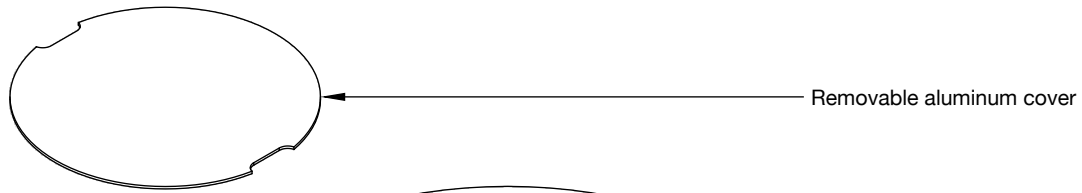


#### Technical Data

	<b>Natural Gas</b>	<b>Propane</b>
<b>Burner Model:</b>	CIR-E-18	CIR-E-18P
<b>Heat Output:</b>	69,000 BTU/h / 25 kW	60,000 BTU/h / 25 kW
<b>Clearances to Combustibles:</b>	Above: 72" Below: 0" Sides: 6"	
<b>Available Finishes:</b>	Powder-coated Aluminum: Black, White, Graphite Corten Steel Glass Screen	
<b>Available Accessories:</b>	US & Canada - ETL ANSI Z21.97 CSA 2.4.1 UK & EU - CE GAR (EU) 2016/426 Switzerland - SVGW	
<b>Burner Certifications &amp; Standards:</b>		
<b>Installed Weight (Aluminum; Corten):</b>	up to 270 lbs   125 kg; up to 360 lbs / 165 kg	
<b>Crated Weight (Aluminum; Corten):</b>	up to 450 lbs / 205 kg; up to 550 lbs / 250 kg	
<b>Crate Size:</b>	58"x58"x23"h / 147x147x59 cm	
<b>Vessel Material &amp; Weight:</b>	3/16" Corten Steel 185 lbs / 85 kg 1/4" Aluminum 80 lbs / 36 kg	



Cover in place

