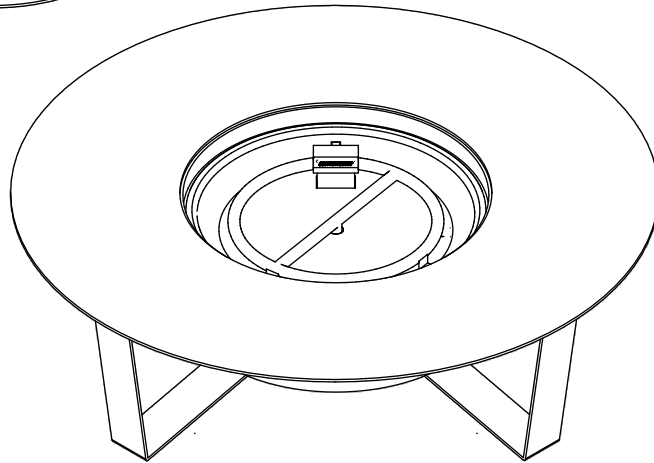
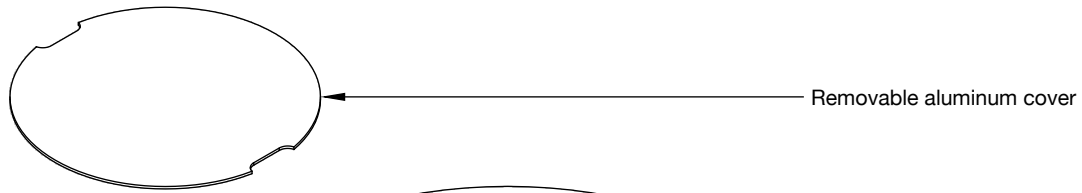


Technical Data

	Natural Gas	Propane
Burner Model:	CIR-M-18	CIR-M-18P
Heat Output:	69,000 BTU/h / 25 kW	60,000 BTU/h / 25 kW
Clearances to Combustibles:	Above: 72" Below: 0" Sides: 6"	
Available Finishes:	Powder-coated Aluminum: Black, White, Graphite Corten Steel Glass Screen	
Available Accessories:	US & Canada - ETL ANSI Z21.97 CSA 2.4.1 UK & EU - CE GAR (EU) 2016/426 Switzerland - SVGW	
Installed Weight (Aluminum; Corten):	up to 270 lbs 125 kg; up to 360 lbs / 165 kg	
Crated Weight (Aluminum; Corten):	up to 450 lbs / 205 kg; up to 550 lbs / 250 kg	
Crate Size:	58"x58"x23"h / 147x147x59 cm	
Vessel Material & Weight:	3/16" Corten Steel 185 lbs / 85 kg 1/4" Aluminum 80 lbs / 36 kg	



Cover in place

