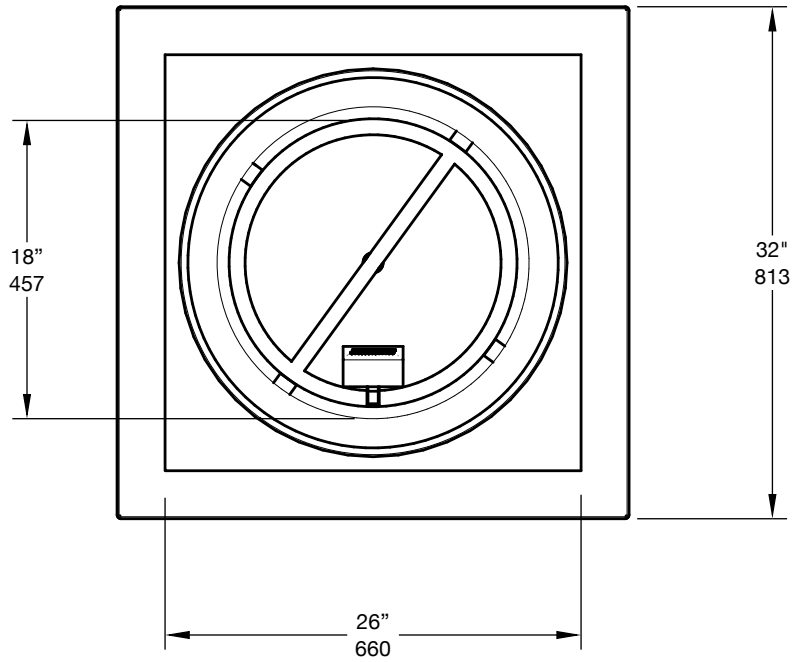
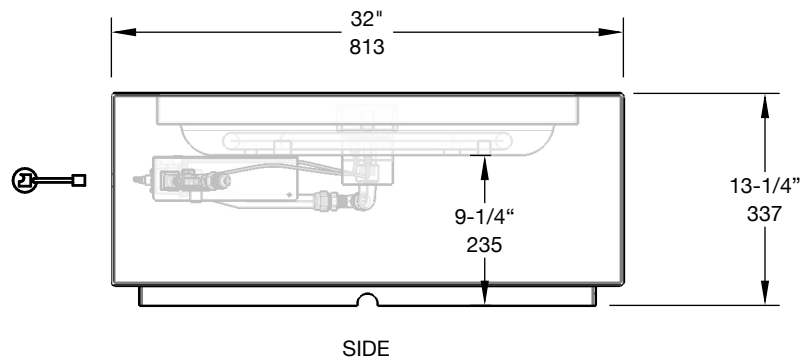
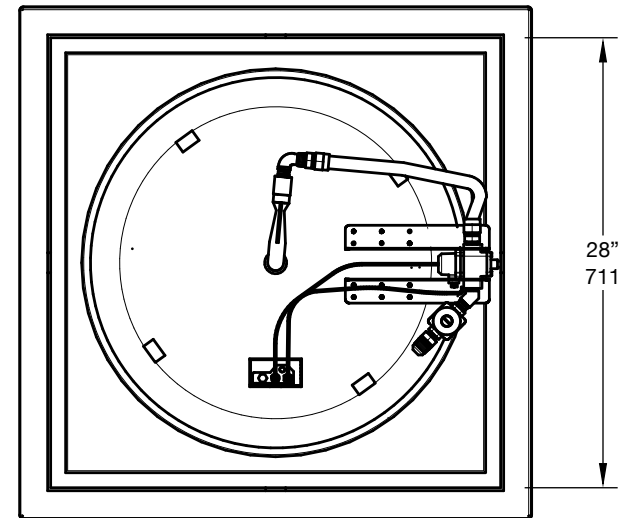


TOP

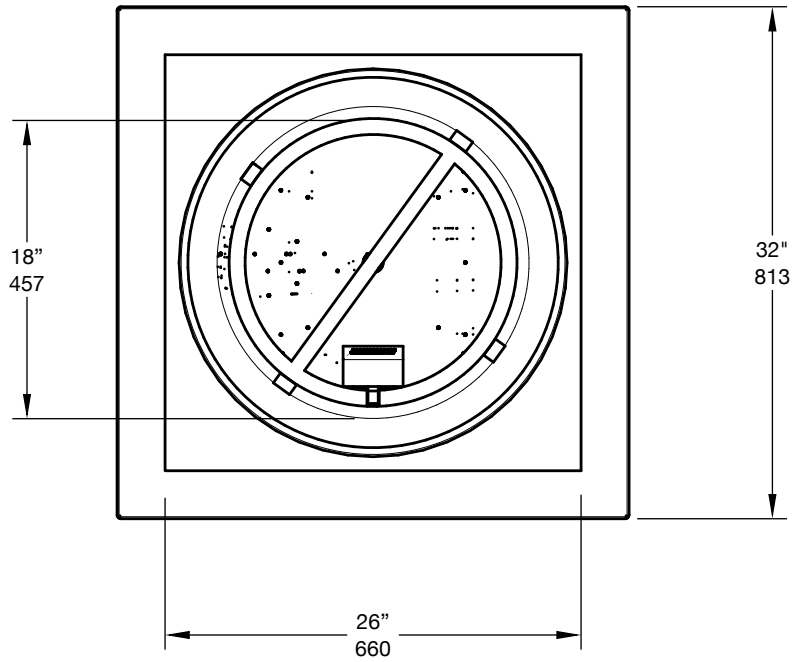


BOTTOM

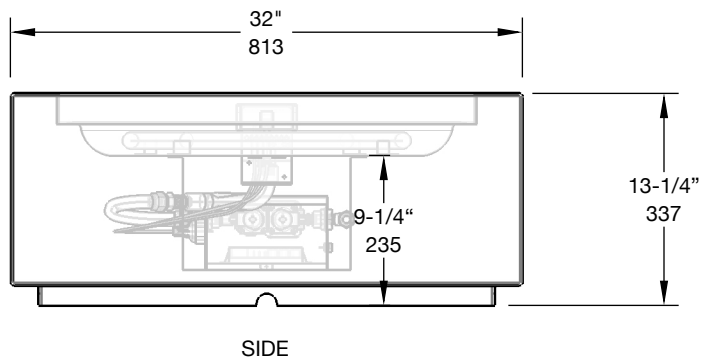
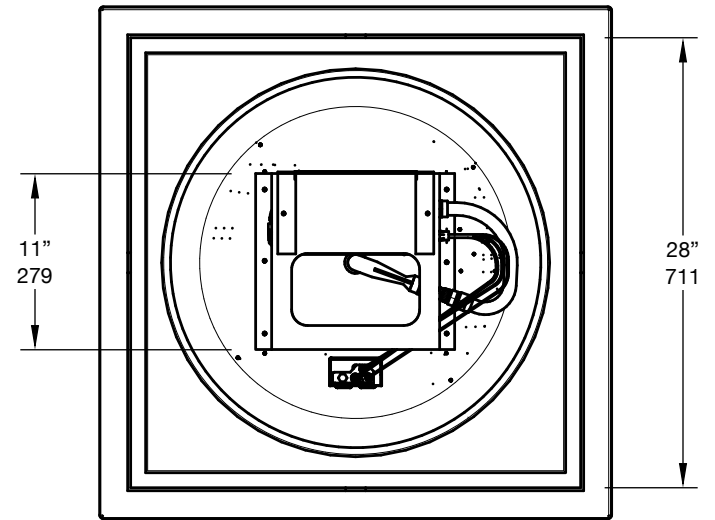


	NATURAL GAS	PROPANE
BURNER	CIR-M-18	CIR-M-18P
HEAT OUTPUT	69,000 BTU/h 25 kW	60,000 BTU/h 25 kW
WEIGHT	up to 285 lbs 130 kg	up to 285 lbs 130 kg
AVAILABLE COLOURS	Corten Steel	
AVAILABLE ACCESSORIES	Table Top, Tempered Glass Screen	

TOP



BOTTOM



SIDE

	NATURAL GAS	PROPANE
BURNER	CIR-E-18	CIR-E-18P
HEAT OUTPUT	69,000 BTU/h 25 kW	60,000 BTU/h 25 kW
WEIGHT	up to 285 lbs 130 kg	up to 285 lbs 130 kg
AVAILABLE COLOURS	Corten Steel	
AVAILABLE ACCESSORIES	Table Top, Tempered Glass Screen	