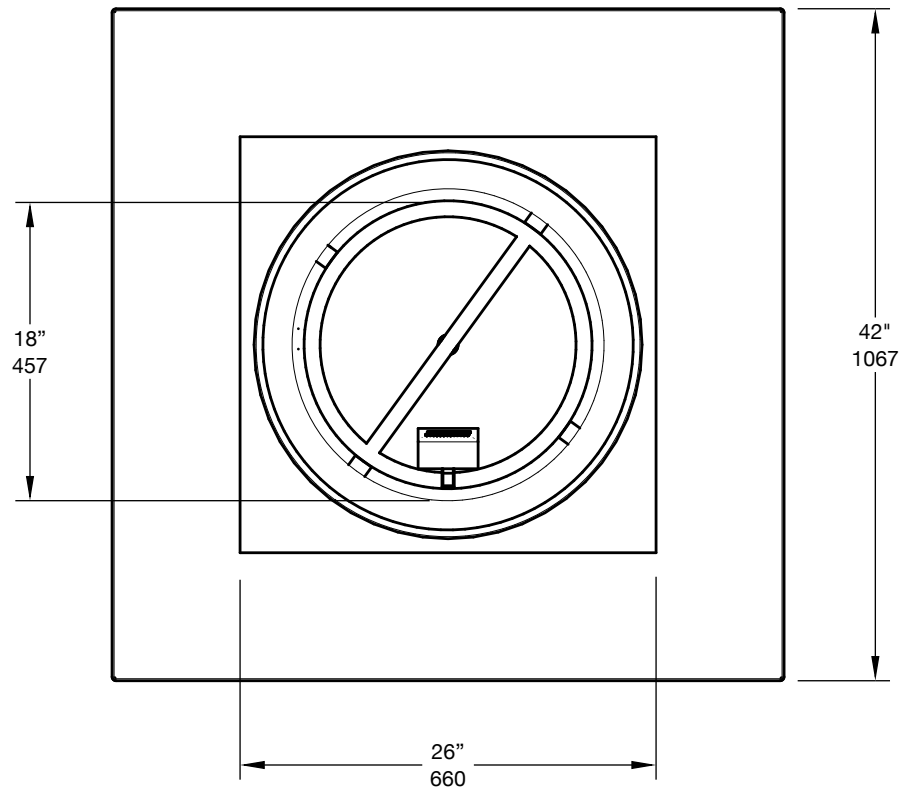
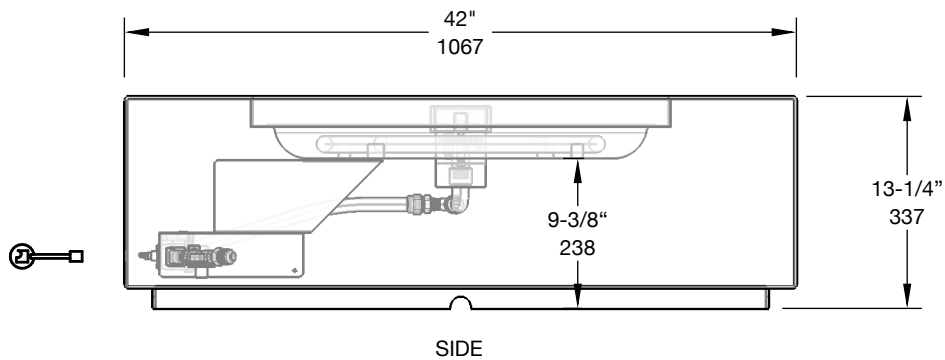
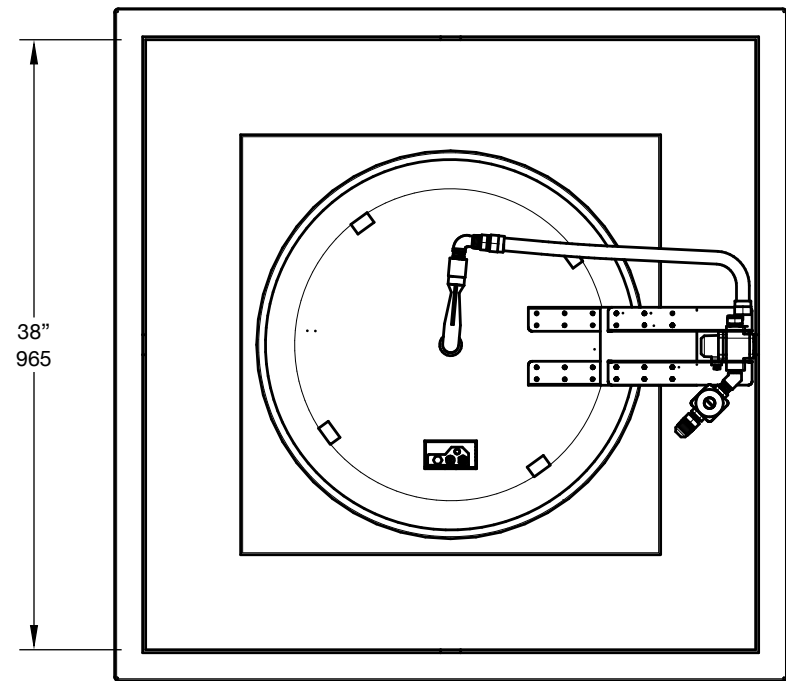


TOP

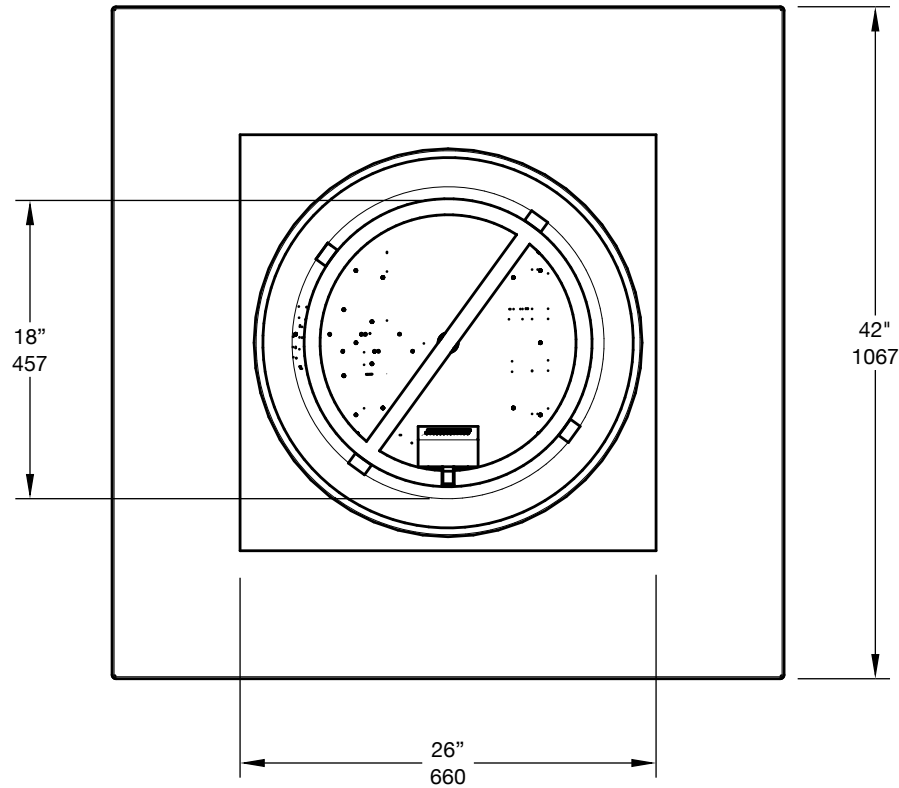


BOTTOM

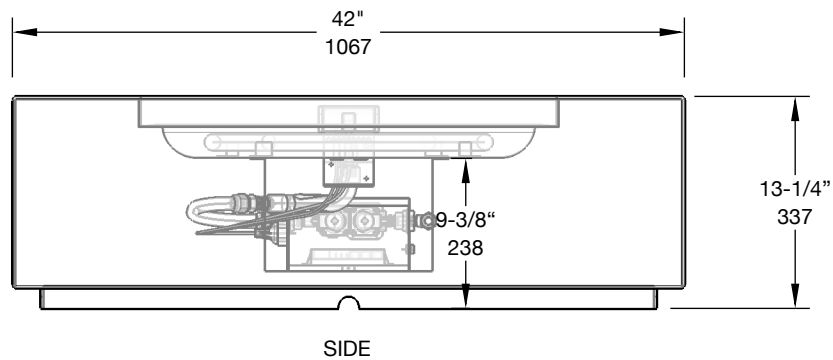
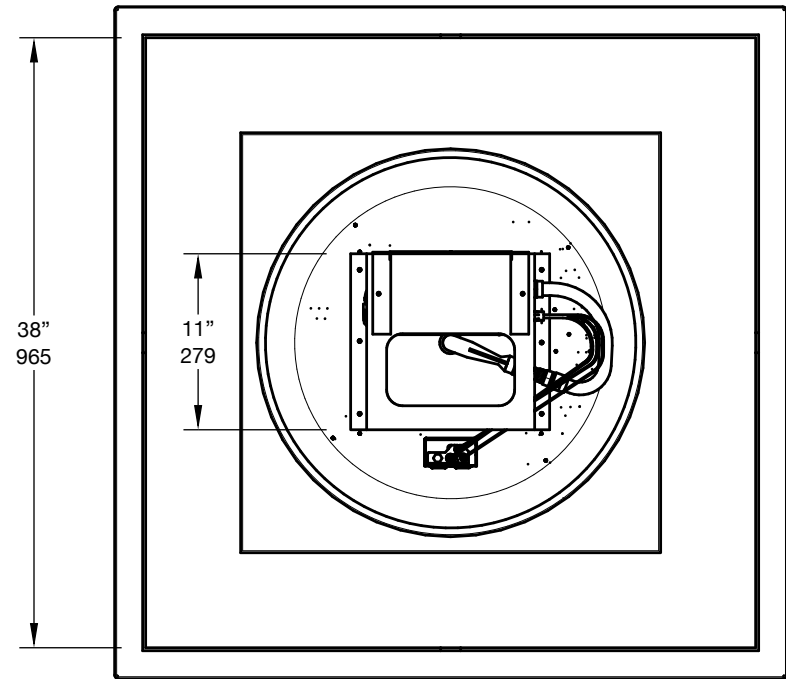


	NATURAL GAS	PROPANE
BURNER	CIR-M-18	CIR-M-18P
HEAT OUTPUT	69,000 BTU/h 25 kW	60,000 BTU/h 25 kW
WEIGHT	up to 375 lbs 170 kg	up to 375 lbs 170 kg
AVAILABLE COLOURS	Charcoal, Ash, Nougat	
AVAILABLE ACCESSORIES	Table Top, Tempered Glass Screen	

TOP



BOTTOM



	NATURAL GAS	PROPANE
BURNER	CIR-E-18	CIR-E-18P
HEAT OUTPUT	69,000 BTU/h 25 kW	60,000 BTU/h 25 kW
WEIGHT	up to 375 lbs 170 kg	up to 375 lbs 170 kg
AVAILABLE COLOURS	Corten Steel	
AVAILABLE ACCESSORIES	Table Top, Tempered Glass Screen	