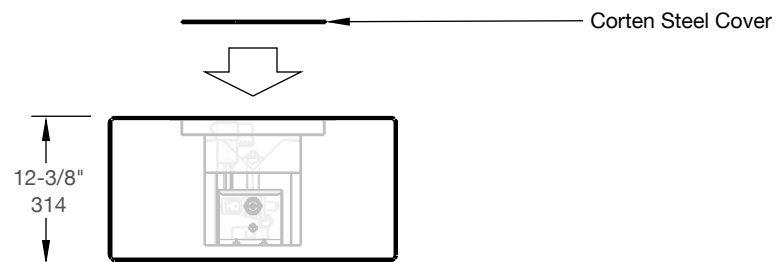
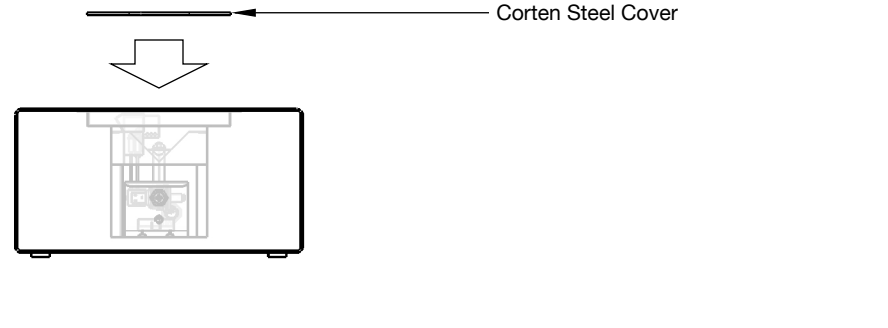
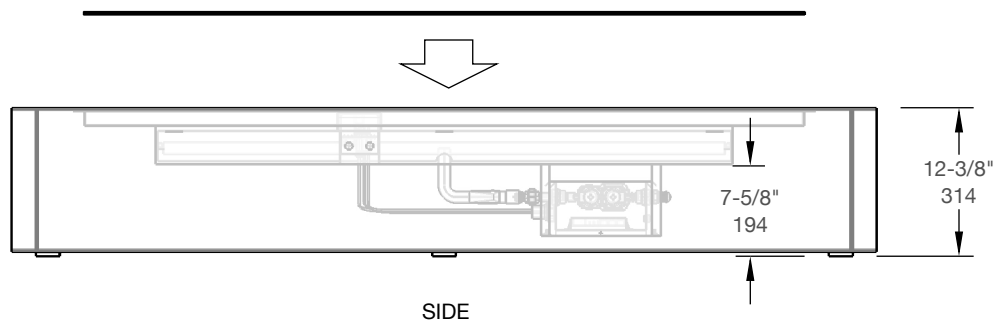
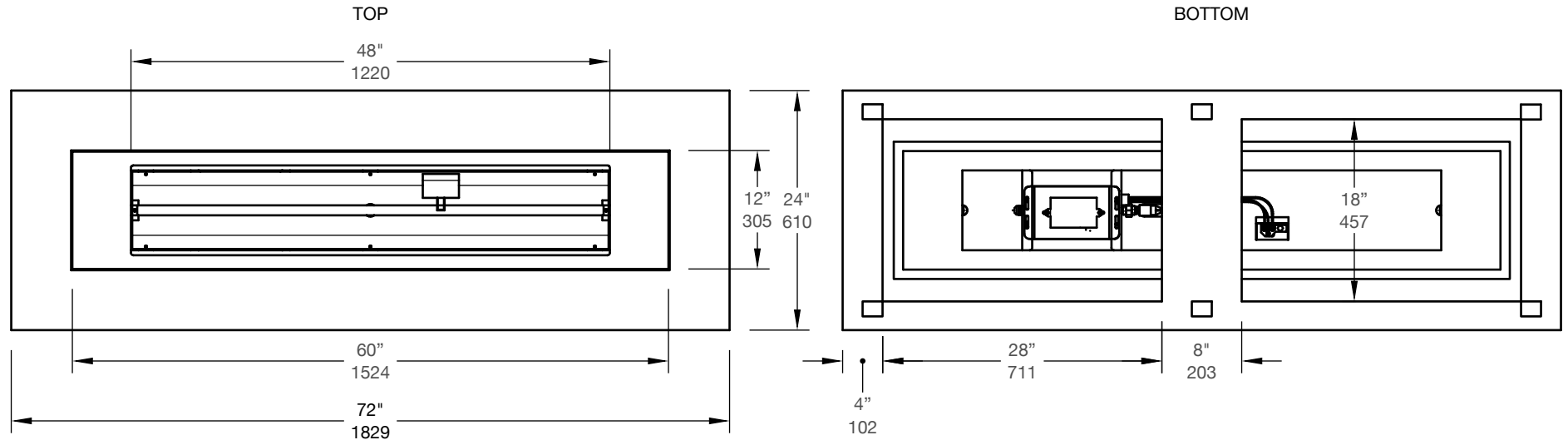


SIDE



	NATURAL GAS	PROPANE
BURNER	LIN-(E)-36	LIN-(E)-36P
HEAT OUTPUT	60,000 BTU/h 18 kW	60,000 BTU/h 18 kW
WEIGHT	up to 325 lbs 150 kg	up to 325 lbs 150 kg
AVAILABLE COLOURS	Corten Steel	
AVAILABLE ACCESSORIES	Tempered Glass Screen	



	NATURAL GAS	PROPANE
BURNER	LIN-(E)-48	LIN-9E)-48P
HEAT OUTPUT	80,000 BTU/h 25 kW	80,000 BTU/h 25 kW
WEIGHT	up to 425 lbs 190 kg	up to 425 lbs 190 kg
AVAILABLE COLOURS	Corten Steel	
AVAILABLE ACCESSORIES	Tempered Glass Screen	