

Technical Data

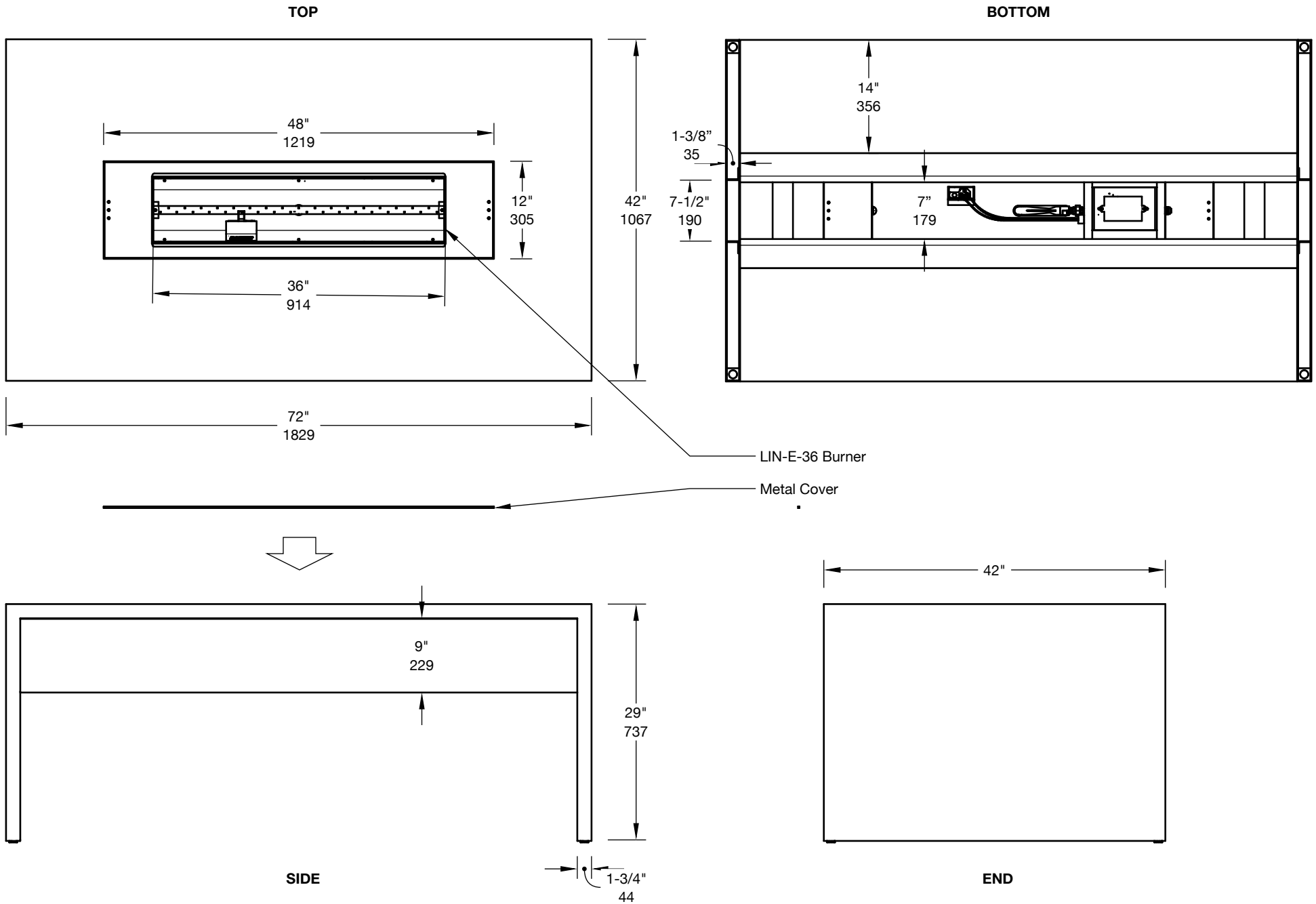
Burner Model:
Heat Output:
Clearances to Combustibles:
Available Finishes:

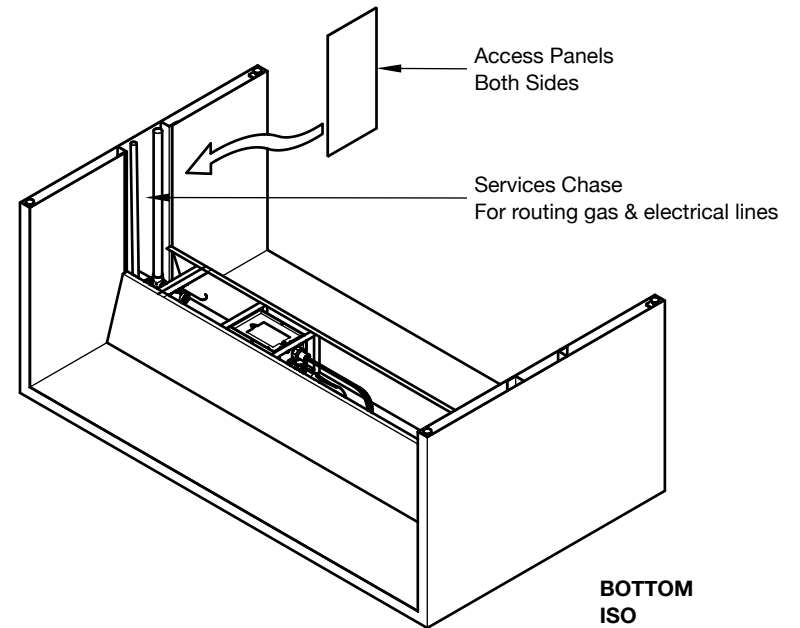
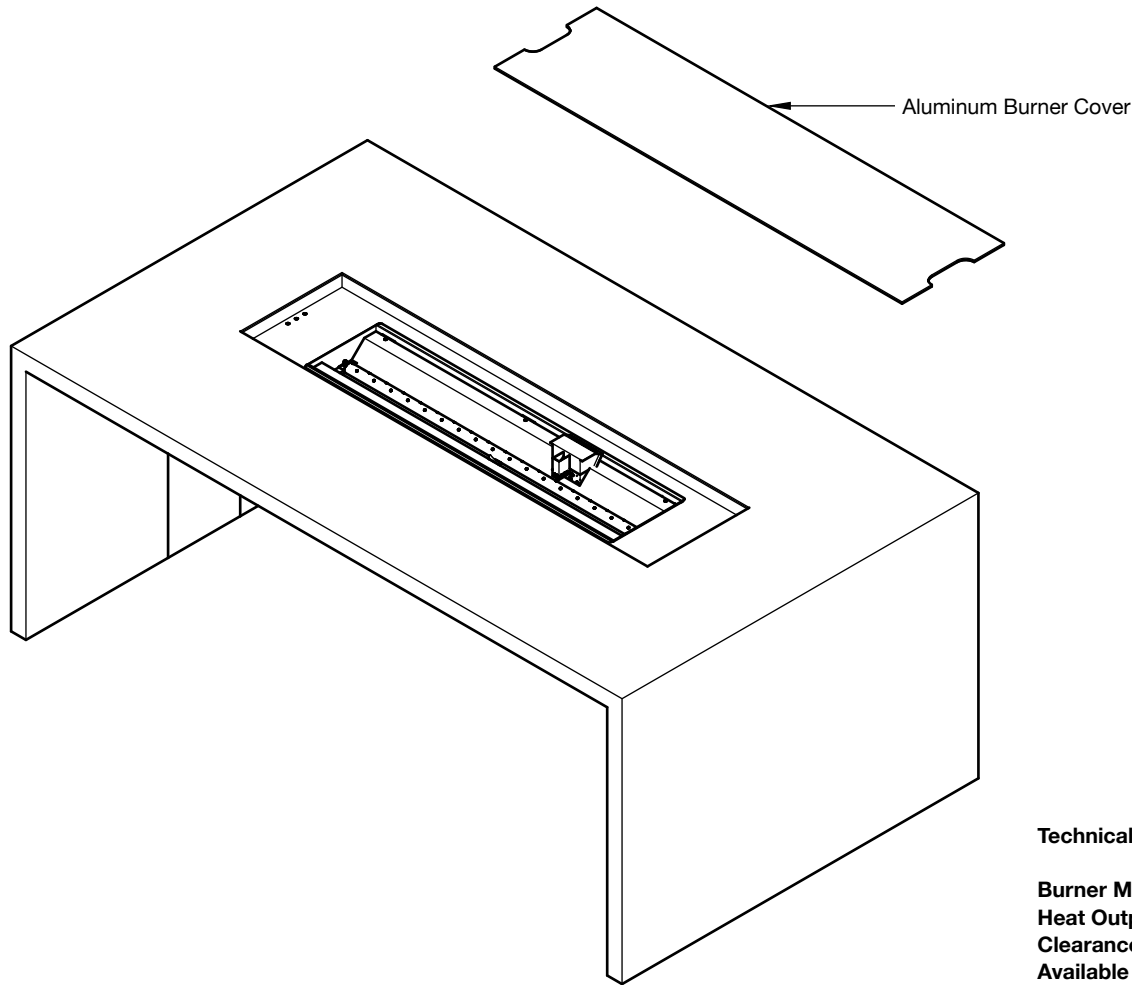
Available Accessories:
Burner Certifications & Standards:

Installed Weight:
Crated Weight:
Crate Size:
Vessel Material & Weight:

Natural Gas	Propane
LIN-M-36	LIN-M-36P
60,000 BTU/h / 25 kW	57,000 BTU/h / 25 kW
Above: 72" / 1829 mm Below / Sides: 0"	
Powder-coated Aluminum: Black, White, Graphite, Dark Graphite and Bronze	
Tempered Glass Screen	
US & Canada - ETL ANSI Z21.97 CSA 2.4.1	
UK & EU - CE GAR (EU) 2016/426; Switzerland - SVGW	
Australia AS/NZS 5263.0	
up to 325 lbs 150 kg	
up to 525 lbs / 240 kg	
80"x48"x42"h / 203x122x107 cm	
Powder-coated Aluminum 220 lbs / 100 kg	

For more information, visit paloform.com/fire-pits/nimbus





Technical Data

Burner Model:

Heat Output:

Clearances to Combustibles:

Available Finishes:

Available Accessories:

Burner Certifications & Standards:

Installed Weight:

Crated Weight:

Crate Size:

Vessel Material & Weight:

Natural Gas

LIN-E-36

60,000 BTU/h / 25 kW

Above: 72" / 1829 mm Below / Sides: 0"

Powder-coated Aluminum: Black, White, Graphite, Dark Graphite and Bronze

Tempered Glass Screen

US & Canada - ETL ANSI Z21.97 CSA 2.4.1

UK & EU - CE GAR (EU) 2016/426; Switzerland - SVGW

Australia AS/NZS 5263.0

up to 325 lbs | 150 kg

up to 525 lbs / 240 kg

80"x48"x42"h / 203x122x107 cm

Powder-coated Aluminum 220 lbs / 100 kg

Propane

LIN-E-36P

57,000 BTU/h / 25 kW

For more information, visit paloform.com/fire-pits/nimbus