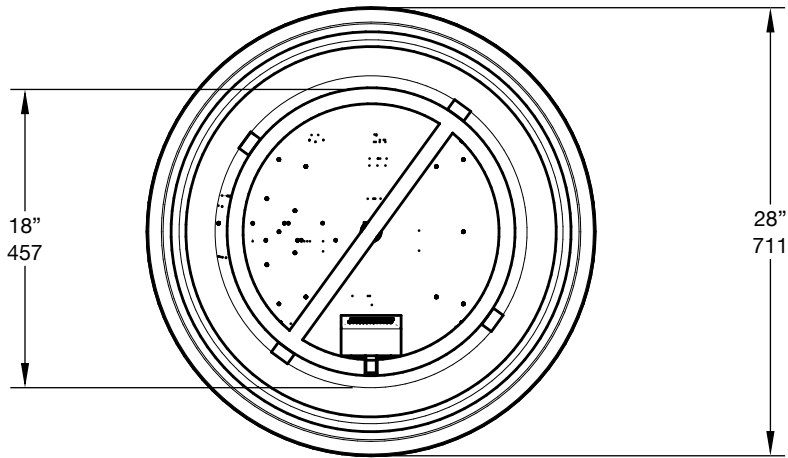
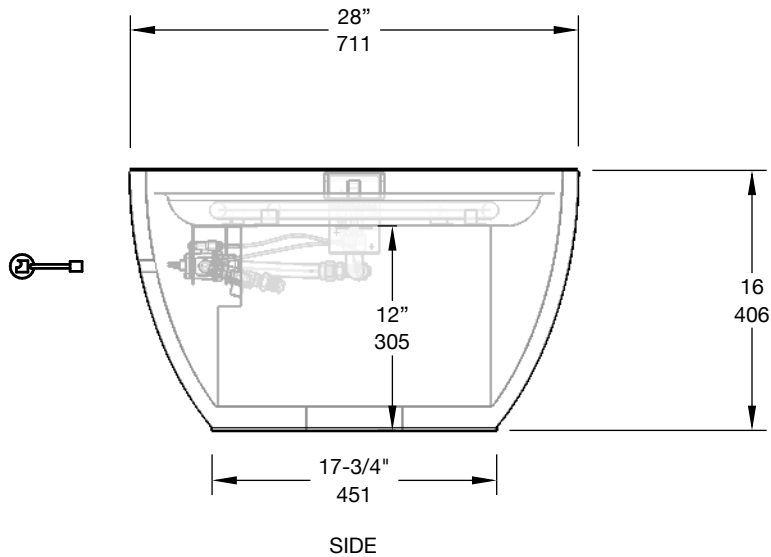
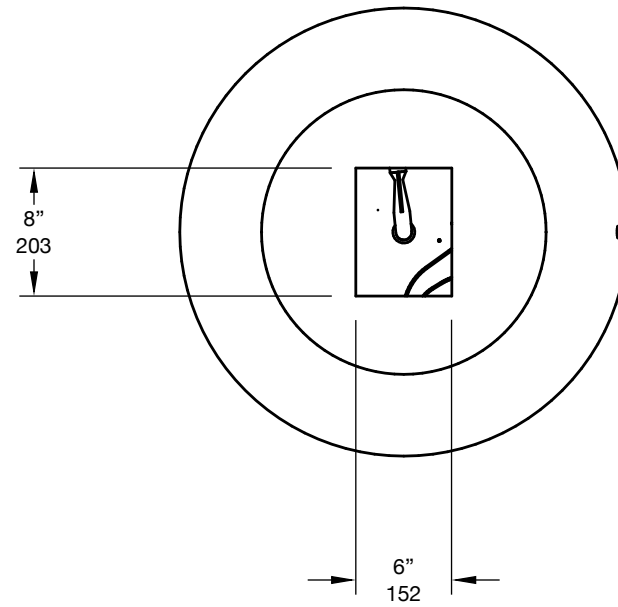


TOP



BOTTOM



Technical Data

Burner Model:

Heat Output:

Clearances to

Combustibles:

Available Finishes:

Available Accessories:

**Burner Certifications
& Standards:**

Installed Weight:

Crated Weight:

Crate Size:

Vessel Material & Weight:

Natural Gas

CIR-M-18

69,000 BTU/h / 25 kW

Above: 72" Below: 0" Sides: 16"

Charcoal, Ash, Dove, Walnut, Chai, Nougat

Aluminum Table Top

US & Canada - ETL ANSI Z21.97 CSA 2.4.1

UK & EU - CE GAR (EU) 2016/426

Switzerland - SVGW

up to 275 lbs | 125 kg

up to 400 lbs / 180 kg

34"x34"x26"h / 86x86x66 cm

Hand Cast Concrete 120 lbs / 54 kg

Propane

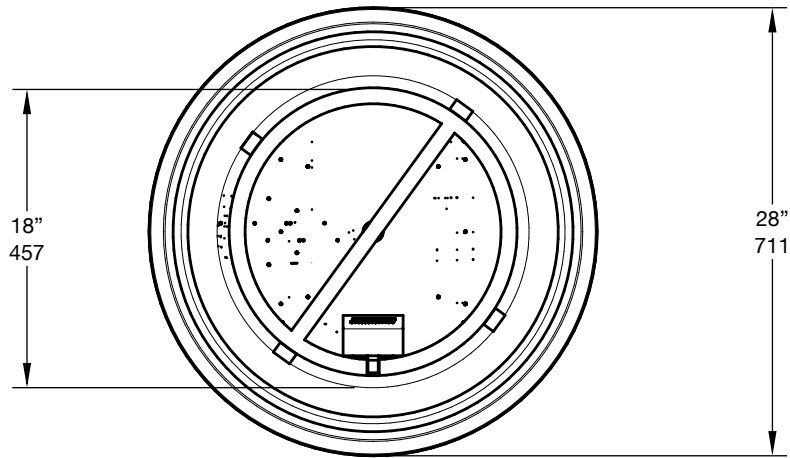
CIR-M-18P

60,000 BTU/h / 25 kW

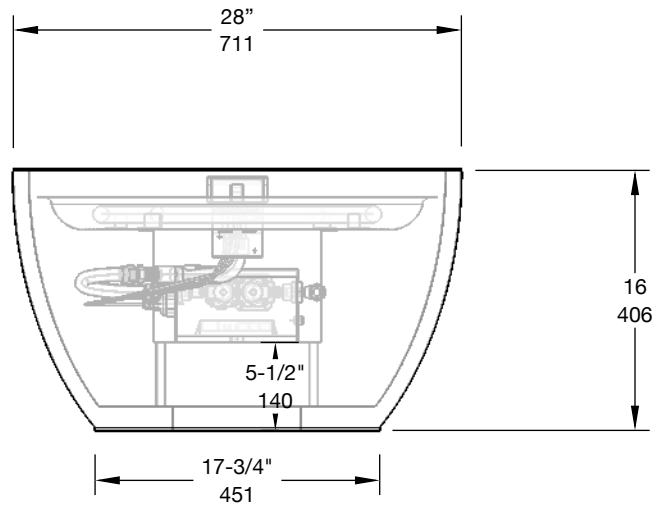
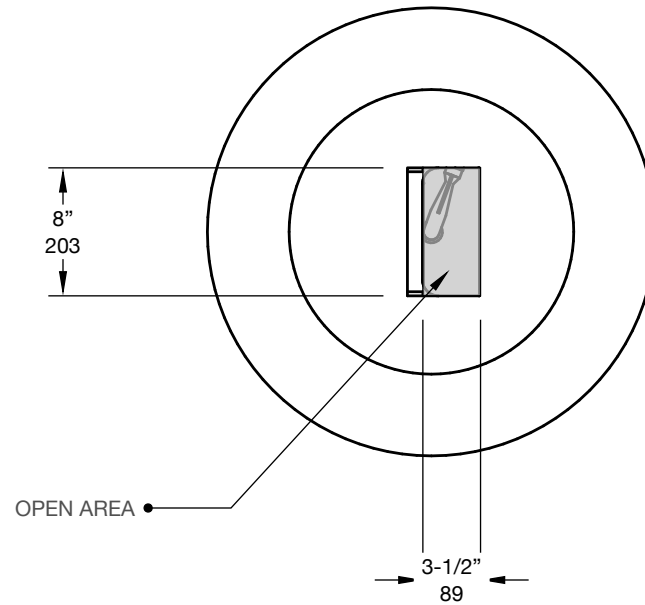
For more information, visit paloform.com/fire-pits/soba



TOP



BOTTOM



SIDE

Technical Data

Burner Model:

Heat Output:

Clearances to

Combustibles:

Available Finishes:

Available Accessories:

Burner Certifications

& Standards:

Installed Weight:

Crated Weight:

Crate Size:

Vessel Material & Weight:

Natural Gas

CIR-E-18

69,000 BTU/h / 25 kW

Above: 72" Below: 0" Sides: 16"

Charcoal, Ash, Dove, Walnut, Chai, Nougat

Aluminum Table Top

US & Canada - ETL ANSI Z21.97 CSA 2.4.1

UK & EU - CE GAR (EU) 2016/426

Switzerland - SVGW

up to 275 lbs | 125 kg

up to 400 lbs / 180 kg

34"x34"x26"h / 86x86x66 cm

Hand Cast Concrete 120 lbs / 54 kg

Propane

CIR-E-18P

60,000 BTU/h / 25 kW

For more information, visit paloform.com/fire-pits/soba

